



Vented Brass Ball Valve with Lockable Lever, BSPP

- M5 Tapped Vented Hole
- Full Bore Screwed BSPP
- Blue Lockable Lever
- Full Bore
- Sizes from ¼" - 2"
- Screwed BSPP

DESCRIPTION

A Vented full bore brass ball valve, screwed BSPP fitted with a lockable handle. The valve is nickel plated, has a brass ball and stem with PTFE seats. When operated the valve exhausts automatically when in the closed position.

The valve is lockable in the closed position only, therefore allowing safe maintenance. Exceptional value for money, offering reliability and a long life.

Typical Applications

For use on Pneumatic Safety Systems:-

Allowing safe maintenance of equipment that's air supplied. When the valve is operated one simple 90° turn of the handle shuts the flow and can be locked in this position.



Description

Brass nickel plated full bore ball valve and PTFE seats with locking device fitted with a blue lockable lever. The valve is screwed BSPP and has an M5 Tapped Vent Hole. Temperature range for fluids -10°C - +100°C Pressure rating PN14. The padlock is not included with the valve.



Beschreibung

Messing vernickelter Kugelhahn mit vollem Durchgang und PTFE-Sitze mit Verriegelung und blauem verriegelbaren Hebel. Das Ventil ist BSPP-geschraubt und hat eine M5-Entlüftungsgewindebohrung. Temperaturbereich für Flüssigkeiten -10 ° C - + 100 ° C Druckstufe PN14. Das Vorhängeschloss ist nicht im Lieferumfang des Ventils enthalten.



Descripción

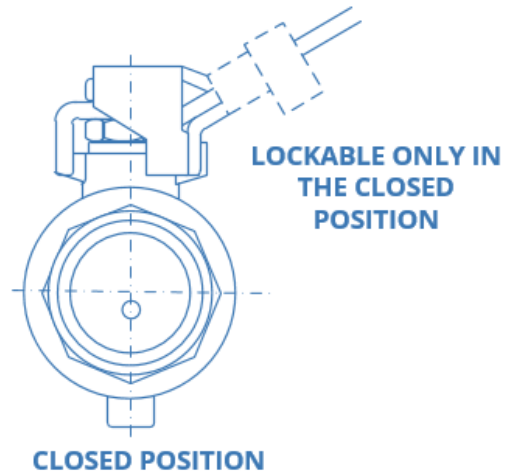
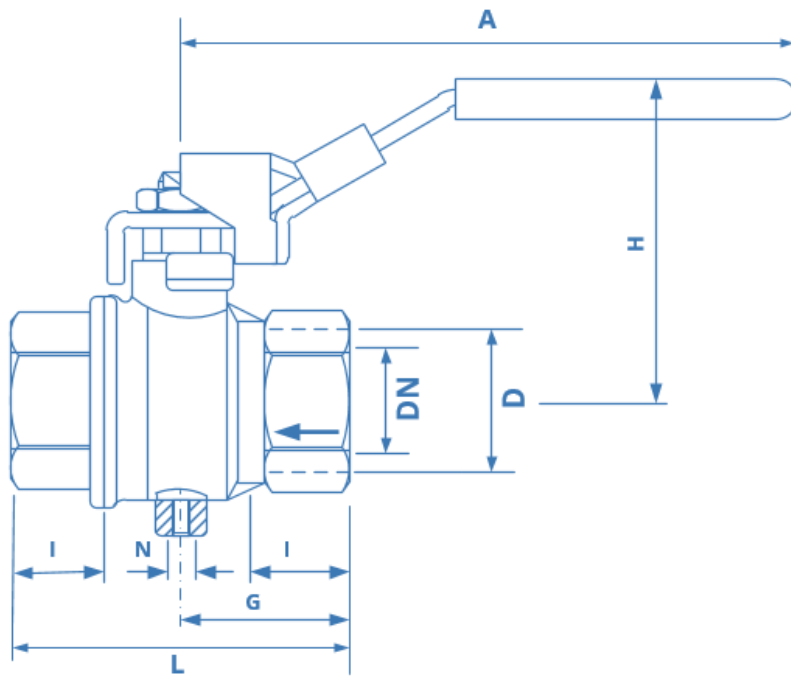
Válvula de bola de calibre completo de latón niquelado y asientos de PTFE con dispositivo de bloqueo equipado con una palanca azul bloqueable. La válvula está atornillada BSPP y tiene un orificio de ventilación rosca M5. Rango de temperatura para fluidos -10 ° C - + 100 ° C CP presión nominal PN14. El candado no está incluido con la válvula.



Description

Vanne à boisseau sphérique à passage intégral en laiton nickelé et sièges en PTFE avec dispositif de verrouillage équipé d'un levier de verrouillage bleu. La vanne est vissée en BSPP et possède un trou d'évacuation taraudé M5. Plage de température pour les fluides -10 ° C à + 100 ° C Indice de pression PN14. Le cadenas n'est pas inclus avec la valve.

BV5051



Dimensions shown are for guidance only

DIMENSIONS								
DN	Size	I	L	C	A	H	CH	Kg
8	1/4"	12	45	22.5	96	48	20	0.21
10	3/8"	12	45	22.5	96	48	20	0.21
15	1/2"	15.5	59	29.5	96	51	25	0.33
20	3/4"	17	64	32	117	60	31	0.5
25	1"	21	81	40.5	117	64	40	0.84
32	1 1/4"	23	93	46.5	157	80	49	1.2
40	1 1/2"	23	102	51	157	86	54	1.64
50	2"	26.5	121	60.5	157	93	68.5	2.67

Brass Nickel Plated Full Bore Ball Valve - with Locking Device (Padlock not included)
 Blue lockable lever with PVC sleeve. Screwed BSPP Female, M5 Tapped Vent Hole.
 Temperature range Fluids -10°C - +100°C
 Pressure PN14

Typical Applications

For use on Pneumatic Safety Systems:-

Allowing safe maintenance of equipment that's air supplied. When the valve is operated one simple 90° turn of the handle shuts the flow and can be locked in this position.

Material List	
Body	Brass Nickel Plated
Seat	PTFE
Ball	Brass Chrome Plated
End Cap	Brass Nickel Plated
Stem	Brass Nickel Plated
Gland Nut	Brass Nickel Plated
Nut	Geomet®
Gland Seal	PTFE
Washer	PTFE
Handle	PVC Coated

Pressure / Temperature Ratings	
Pressure	PN14
Temperature	-10° C to 100° C