



Compression Ended Ball Valve

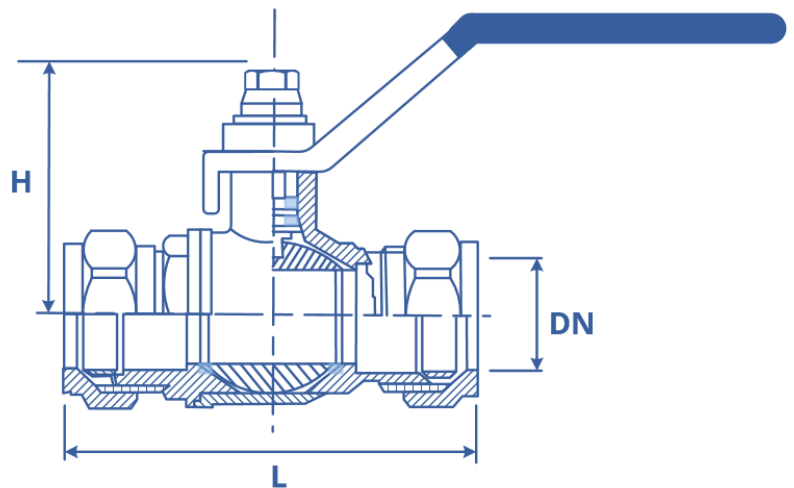
- Colour Coded Levers
- WRAS & EN331 Approved
- Compression Ends
- – 10°C to 110°C
- PN25 rated

DESCRIPTION

A robust nickel plated brass ball valve. The ends are compression ended Copper to Copper. Full bore with a brass hard chrome plated ball. A choice of Red, Yellow or Blue PVC coated insulated levers, with a 90° rotation. Ideal for HVAC and domestic water applications.

Options

Locking Levers
Tee Handle



Dimensions shown are for guidance only

Material List

Body	Brass
Ball	Brass hard chrome plated
Seats	PTFE
Stem	Brass
Handle	Steel coloured PVC handles
Compression nut	Brass
Compression cone	Brass

Dimensions in mm

Size mm	Length	Height	Kg
15	70.5	52.5	0.3
22	80	54.5	0.34
28	91.5	69	0.57
35	109	78	0.94
42	123	86	1.18
54	150	100	2.15



GAS APPROVED

Technical Data

Gas	Up to 60°C	Max Pressure 5 Bar
Liquid	up to 110°C	Max Pressure 25 Bar