



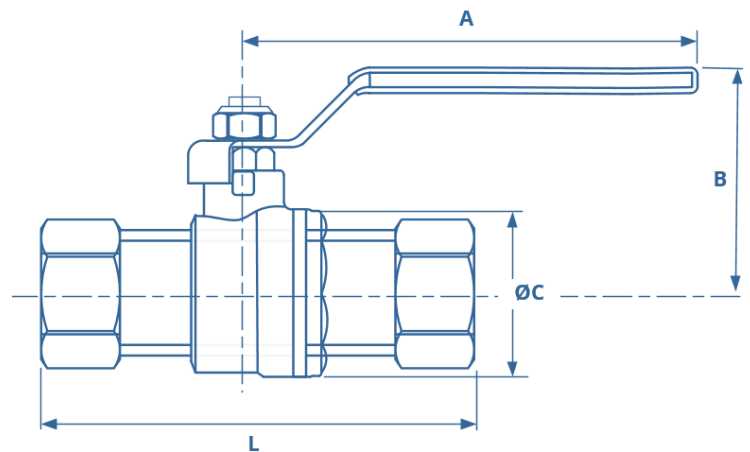
DZR Brass Ball Valve

- Anti Blow-Out Stem
- WRAS Approved
- Compression Ends
- – 10°C to 110°C
- PN25 rated

DZR Ball Valve

Benefits from maximum performance, ease of installation, lightweight and compact. Quarter turn operation with compression ends and lever handle. Has the options of extended stem.

Made of dezincified resistant brass, DZR valves, full bore ball valve with lever operator. DZR ball valves for cold water, heating, ventilation, air conditioning and gas applications.



Dimensions shown are for guidance only

Dimensions in mm

ØC Size mm	A	B	Kg
15	83	52.5	0.23
22	93	54.5	0.34
28	124	69	0.57
35	133	78	0.94
42	133	86	1.31
54	158	100	2.15

Technical Data

Liquid	–10°C up to 110°C	Max Pressure 25 Bar
--------	-------------------	---------------------

WRAS
APPROVED
PRODUCT

Material List

Body	Brass DZR
Ball	Brass hard chrome plated
Seats	PTFE
Stem	Brass
Handle	Steel with PVC handles
Compression nut	Brass
Compression cone	Brass