

SKU: SV5238

-  2/2 WRAS Approved Solenoid Valve
-  2/2 WRAS Genehmigt Magnetventil
-  2/2 WRAS Aprobado válvula solenoide
-  2/2 WRAS Approuvé Electrovanne

Valves[™]
O N L I N E

- 3/8" – 2" Brass Servo Assisted Solenoid WRAS Approved
- 3/8" – 2" Messing Servo Assisted Magnet WRAS Approved
- 3/8" – 2" Servo asistida latón solenoide aprobación WRAS
- 3/8" – 2" Laiton Servo assistée Solenoid WRAS Approuvé



- Media: Potable Water
- Pressure range: 0.5 to 16 bar max
- Media temp: -20°C to +120° C max
- Ambient temperature: -10° to +50° C
- Media viscosity: 40 centistokes max
- Mounting: coil upright preferred

Designed with drinking/potable water in mind this economical servo assisted brass solenoid valve is fully WRAS approved. Supplied in sizes from 3/8" up to 2", having EPDM Seals, pressure from 0.5 to 16 Bar and temperatures up to 120° C.

Available in Stainless Steel

**2/2 WRAS Approved
Solenoid Valve for
Potable Water
3/8" - 2"**

Normally Closed



Description

Designed with drinking/potable water in mind this economical servo assisted brass solenoid valve is fully WRAS approved. Supplied in sizes from 3/8" up to 1", having EPDM Seals, pressure from 0.3 to 16 Bar and temperatures up to 140° C.



Beschreibung

Entwickelt mit Trink- / Trinkwasser im Auge ist diese wirtschaftliche Servolenkung Messing Magnetventil voll WRAS zugelassen. Lieferung in den Größen von 3/8" bis 1", EPDM - Dichtungen mit Druck von 0,3 bis 16 bar und Temperaturen bis zu 140° C



Descripción

Diseñado con el agua potable / potable en cuenta este servo asistida válvula de solenoide de latón económica está totalmente aprobado SADA. Se suministra en tamaños desde 3/8" hasta 1", que tienen juntas de EPDM, la presión de 0,3 hasta 16 bar y temperaturas de hasta 140° C



Description

Conçu avec potable / eau potable à l'esprit ce servo assisté valve laiton solénoïde économique est entièrement WRAS approuvé. Livré dans les tailles de 3/8" à 1", ayant joints en EPDM, la pression de 0,3 à 16 bar et des températures allant jusqu'à 140° C



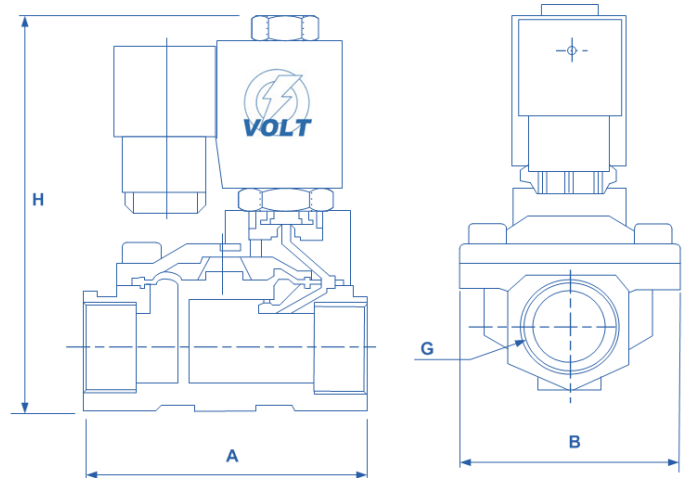
Servo Assisted

-  2/2 WRAS Approved Solenoid Valve
-  2/2 WRAS Genehmigt Magnetventil
-  2/2 WRAS Aprobado válvula solenoide
-  2/2 WRAS Approuvé Electrovanne

2/2 WRAS Brass Solenoid Valve

Designed with drinking/potable water in mind this economical servo assisted brass solenoid valve is fully WRAS approved. Supplied in sizes from 3/8" up to 2", having EPDM Seals, pressure from 0.5 to 16 Bar and temperatures up to 120° C.

Seal Material	
120°C	EPDM
WRAS Approved	



Electrical Data			
Voltage (-10% + 10%) Continuous duty 100%	Power Consumption	Insulation Class	IP Rating With Connector
24 – 110 – 240 (50 or 60 Hz)	22VA	F 155°C	IP65
12 – 24 (DC)	13W		

OPTIONS

IP65 Coil & Connector PG9 – DIN 43650 A
NPT Thread

Body Brass
PA Fiberglass reinforced
Tube and internal parts stainless steel
Seals and gaskets EPDM WRAS + KTW Approved

Component Material	
Body	Brass
Diaphragm	EPDM
Spring	304 Stainless steel
Body Cover	Brass
Bolt	Stainless
Pilot Seal	EPDM
Pilot	Stainless
Pilot Spring	304 Stainless steel
O Ring	EPDM
Plunger Tube	304 Stainless steel
Coil	Enamelled Wire
Plug	Nylon

SPECIFICATIONS						Dimensions		
Port	Orifice	CV Value	Pressure Rating (Bar)		Weight Kg	A	B	C
			Min	Max				
3/8"	13	4.5	0.5	16	0.32	66	48	112
1/2"	13	4.5	0.5	16	0.38	66	48	112
3/4"	20	7.6	0.5	16	0.52	75	58	118
1"	25	12	0.5	16	1.08	96	70	131
1 1/4"	35	22	0.5	16	2.56	131	96	146
1 1/2"	40	30	0.5	16	3.2	131	96	146
2"	50	48	0.5	16	3.9	165	120	167

LOW NOISE

