

SKU: CV4663

-  VOLT Swing Check Valve in Brass - BSP
-  VOLT Rückschlagklappe in Brass - BSP
-  VOLT Columpio válvula de retención en Latón - BSP
-  VOLT Balancez Clapet en laiton - BSP

**Valves**<sup>™</sup>  
O N L I N E

- 3/8" - 4" Brass Swing Check Valve BSP – Metal & Rubber Seat
- 3/8" - 4" Messing Rückschlagklappe BSP - Metall und Gummi Sitz
- 3/8" - 4" Latón swing válvula de retención de BSP - metal y goma Asiento
- 3/8" - 4" Laiton Balancez Clapet BSP - Metal & Rubber Seat

**Metal and Rubber  
Seats**

**Brass Screwed Swing  
Check Valve**



- **Low Cost High Performance**
- **3/8" – 4" BSPP & NPT Option**
- **Up to 16 Bar**
- **High Flow Rates**

### Description

This Brass Swing Check Valve provides a long and trouble free life. Offered with the choice of metal or rubber seats. Screwed BSPP with the option of NPT (metal seat only)  
Temperature range from -10°C to 100°C



### Description

Reliable and robust horizontal Brass swing check valve screwed BSPP. The valve has options of a soft rubber seat (NBR) or a metal - metal seat.

Rated 3/8" - 3" PN16 and 4" PN10  
Temperature: - 10°C to 100°C



### Beschreibung

Zuverlässig und robust horizontal Messing Rückschlagklappe verschraubt BSPP. Das Ventil verfügt über Optionen einer weichen Gummisitz(NBR) oder einem Metall - Metallsitz.

Rated 3/8" - 3" PN16 und 4" PN10  
Temperatur: - 10 ° C bis 100 ° C



### Descripción

Horizontal Latón válvula de retención de columpio Fiable y robusto atornilla BSPP. La válvula tiene opciones de un asiento blando de caucho ( NBR ) o un metal - asiento de metal.

Nominal 3/8" - 3" PN16 y 4" PN10  
Temperatura: - 10°C a 100°C



### Description

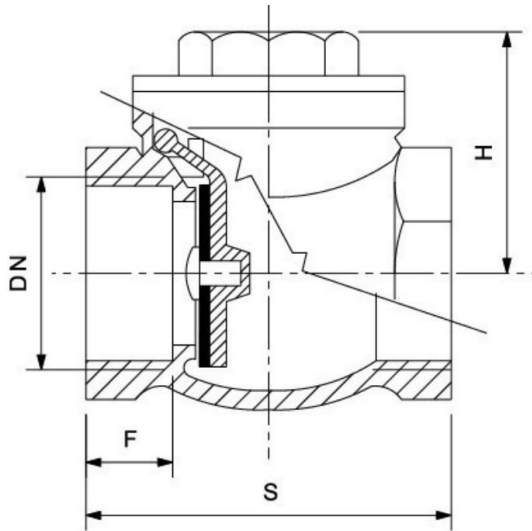
Brass horizontale clapet anti-retour de swing fiable et robuste vissé BSPP. La vanne a des options d'un siège souple en caoutchouc (NBR) ou un métal - siège métallique.

Noté 3/8" - 3" PN16 et 4" PN10  
Température : - 10 ° C à 100 ° C

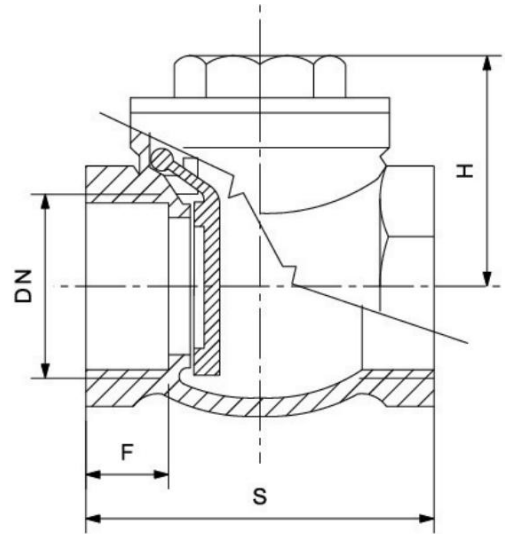


VOLT Swing Check Valve in Brass - BSP  
 VOLT Rückschlagklappe in Brass - BSP  
 VOLT Columpio válvula de retención en Latón - BSP  
 VOLT Balancez Clapet en laiton - BSP

## Brass Swing Check Valve BSP – Metal & Rubber Seat



**RUBBER SEAT**



**METAL SEAT**

Pressure / Temperature Ratings		Material List	
Pressure	3/8" - 3" 16 Bar	Body	Brass
	4" 10 Bar	Cap	Brass
Pressure to Open	0.05 Bar	Flap	Brass
Temperature	-10°C - 100°C	Gasket	NBR

### Dimensions

DN	Size	S	H	Kg
10	3/8"	47	30	0.17
15	1/2"	47	31	0.17
20	3/4"	54	34	0.21
25	1"	64	40	0.32
32	1 1/4"	76	46	0.51
40	1 1/2"	83	52	0.68
50	2"	98	59	1.02
65	2 1/2"	116	67	1.65
80	3"	135	77	2.33
100	4"	164	91	3.95