



3 Way Multi-Port Flanged ANSI 150 Ball Valve

- For Manual Operation Lever Supplied
- General Industrial and Chemical applications
- L and T Port Flow Paths
- 1000 PSI rated
- Full Bore

Description

3-Way ANSI 150 Direct Mount Flanged Ball Valve
ASTM A351 CF8M 316 Stainless Steel construction,
316 Trim. TFM 1600® Ball Seats. PTFE Body and
Stem seals. Nace MR-0175 compliant. Ta-Luft self
adjusting stem. ISO 5211 Direct Mounting Pad and
Square Stem for automation. Locking Lever.
Anti-Static devices for Ball-Stem-Body. AtEx
approved. CE Marked (1 1/2" upwards) in accordance
with the PED 97/23/EC

Options available:

100mm high Spindle Extension for Insulation &
Steam Actuation

L-Port Ball configuration available.

Design Standard: DIN 3375/1,2. EN12516-1

Wall Thickness: ASME 16.34

Inspection & Testing: DIN 3230/3, EN12266

Available size range: 1" - 4"



Description

VOLT flanged ANSI 150 3 way direct mount ball
valve with full bore. ASTM A351 CF8M 316
Stainless Steel construction and has TFM 1600
ball seats, PTFE seats and seals. The valve can be
supplied with L or T port flow path. Direct
Mounting Pad, the valve is easily actuated having
an ISO 5211 pad.



Beschreibung

VOLT angeflanscht ANSI 150 3-Wege-
Ventildirektmontage Ball mit vollem Durchgang.
ASTM A351 CF8M 316 Konstruktion aus
Edelstahl und hat TFM 1600 Kugelsitze, PTFE
Sitze und Dichtungen. Das Ventil kann mit L oder
T-Anschluss Strömungspfad zugeführt werden.
Direkte Montage-Pad ist das Ventil leicht ein ISO-
5211 -Pad betätigt hat.



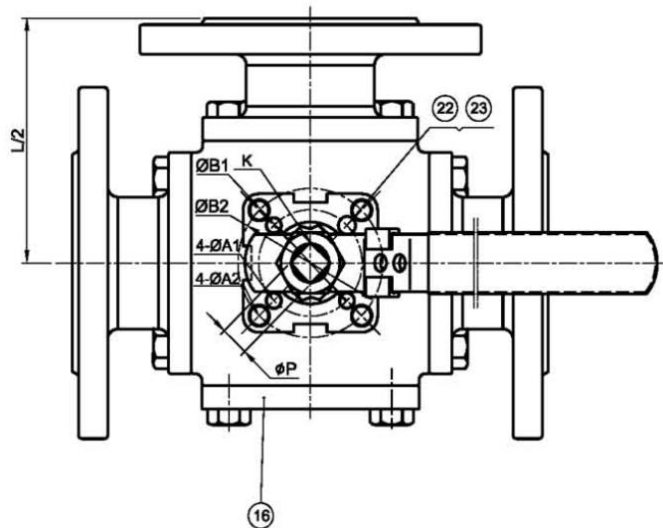
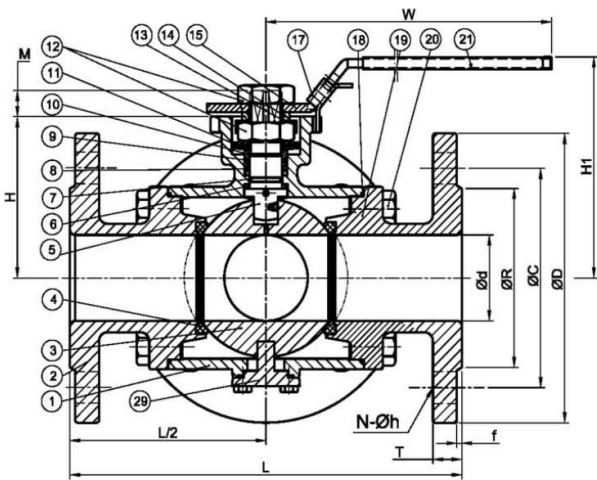
Descripción

VOLTIOS bridas de montaje de válvula de bola de
3 vías ANSI 150 directa con paso total.
construcción ASTM A351 CF8M Acero inoxidable
316 y tiene TFM 1600 asientos de bola, asientos
de PTFE y sellos. La válvula puede ser
suministrada con L o trayectoria de flujo de
conexión T. Almohadilla de montaje directo, la
válvula se acciona fácilmente con un ISO 5211.

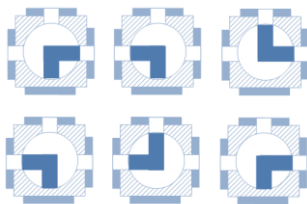


Description

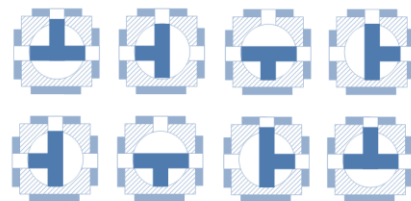
VOLT brides ANSI 150 3 voies monter à bille
direct avec passage intégral. construction ASTM
A351 CF8M 316 en acier inoxydable et a TFM
1600 sièges à billes, sièges en PTFE et les joints.
La vanne peut être alimenté en L ou d'un chemin
d'écoulement de l'orifice T. Direct Pad de
montage, la vanne est facilement actionné ayant
un pad 5211 ISO.



L PORT



T PORT



Dimensions

Size	L	A	B	D	E	P	F	H	K	T	G	N	M
1/2"	223	74	11	15	130	42	35	61	89	11	2	4	16
3/4"	203	79	11	20	130	42	43	70	98	11	2	4	16
1"	190	86	14	25	160	50	51	79	108	12	2	4	16
1 1/4"	178	91	14	32	160	50	64	89	117	13	2	4	16
1 1/2"	165	116	17	38	200	70	73	99	127	15	2	4	19
2"	140	127	17	50	200	70	92	120	152	16	2	4	19
2 1/2"	127	136	17	65	200	70	105	139	178	18	2	4	19
3"	117	164	22	80	325	102	127	152	190	19	2	4	19
4"	108	178	22	100	325	102	157	190	229	24	2	8	19

All information is sourced from our manufacturer's data and is intended for guidance only - ValvesOnline can accept no liability for changes, omissions or errors.

No	Part Name	Material
1	Body Gasket	316 St St
2	End Cap	316 St ST
3	Ball	316 St ST
4	Ball Seat	PTFE/TFM
5	Thrust Washer	304
6	O Ring	FKM
7	V Ring	PTFE/TFM
8	Bushing	50% St St 50% PTFE
9	Gland	SUS316
10	Beleville Washer	SUS 304
11	Stem Nut	A2-70
12	stop lock	SUS304
13	Handle washer	SUS304
14	Handle washer	SUS304
15	End Cap	316
16	Lock device	SUS304
17	Seat Retainer	316
18	Body Gasket	PTFE/TFM
19	Cap Gasket	PTFE/TFM
20	Bolting	A2-70
21	Handle Sleeve	PLASTIC
22	Stop Bolt	A2-70
23	Stop Nut	A2-70
24	Handle adapter	1.4308
25	set screwed	A2-70

3-Way Direct Mount Flanged ANSI 150 Ball Valve
 ASTM A351 CF8M 316 Stainless Steel construction, 316 Trim. TFM 1600® Ball Seats. PTFE Body and Stem seals. Nace MR-0175 compliant. Ta-Luft self adjusting stem. ISO 5211 Direct Mounting Pad and Square Stem for automation. Locking Lever at 90 degree increments. Fully supported ball.
 Anti-Static devices for Ball-Stem-Body. ATEX approved. TFM 1600® is an FDA & WRAS certified material. Silicone Free. Valve suitable for use on Oil based Paints.
 Options available:
 100mm high Spindle Extension for Insulation & Steam Actuation
 L-Port Ball configuration available on special order
 Direct Mount Spring Handle/Lever for sampling/diverting
 Design Standard: ASME B16.34, API 608
 Wall Thickness: ASME 16.34
 Inspection & Testing: API 598, API 6D

Available size range: 1/2" - 4"

Typical applications - Industrial and chemical applications, this type of ball valve is generally used for mixing and diverting in industrial systems such as compressed air, HVAC, Fuel and lightly corrosive systems. It can be used for isolation with locking facility or using its mounting plate as a platform for pneumatic and electric actuators also switchboxes can be fitted



Torque (breakaway) without safety	
50mm	54.1 Nm
65mm	83.5 Nm
80mm	96.43 Nm
100mm	199.90 Nm
150mm	470.40 Nm

Pressure / Temperature Ratings	
Temperature Range	-10°C to 180°C
Max Pressure	ANSI 150

All information is sourced from our manufacturer's data and is intended for guidance only - ValvesOnline can accept no liability for changes, omissions or errors.