



Carbon Steel Swing Check Valve

- PN10, PN16 and ANSI 150 Rated
- NBR Seat with EPDM options
- 0°C to + 95°C
- Fits between PN10/16 & ANSI 150 flanges
- Eye bolt supplied to aid installation
- Weight and space saving

Description:

A cost efficient Wafer pattern swing check valve with a carbon steel body. NBR (BUNA) 'O' ring seal, with St St Disc 2"-8" and Zinc plated carbon for 10"-12". Suitable for horizontal flow and upward vertical flow. Designed to fit between the flanges without the need for any gaskets. PN52 for 2"- 3" and PN16 for 4" - 12" Temperature 0°C to + 95°C

Options:

| | |
|--------------------|----------|
| Stainless Steel – | CV5171 |
| Spring Swing Check | CV5173/4 |
| PVC | CV4675 |

Seal Options

EPDM
PTFE
VITON



Description

Swing Check Valve for mounting in between flanges to BS4504, DIN PN16 & ANSI 150 flanges. CE Marked in accordance with PED 97/23/EC. Suitable for general services, water treatment and other liquids/ gases. Not suitable for media with solid components. This valve has reduced flow characteristics.



Beschreibung

Rückschlagklappe für den Einbau zwischen Flansche nach BS4504, DIN PN16 und ANSI 150 Flanschen . CE gemäß PED 97/23 / EG bezeichnete . Geeignet für allgemeine Dienstleistungen , Wasseraufbereitung und andere Flüssigkeiten / Gasen. Nicht geeignet für Medien mit Feststoffen . Dieses Ventil hat Fließeigenschaften verringert.



Descripción

Columpio válvula de retención para el montaje entre bridas a BS4504, DIN PN16 y ANSI 150 bridas. Marcado CE de conformidad con el PED 97/23 / CE. Adecuado para servicios generales, el tratamiento del agua y otros líquidos / gases . No es adecuado para los medios de comunicación con componentes sólidos . Esta válvula ha reducido características de flujo ..

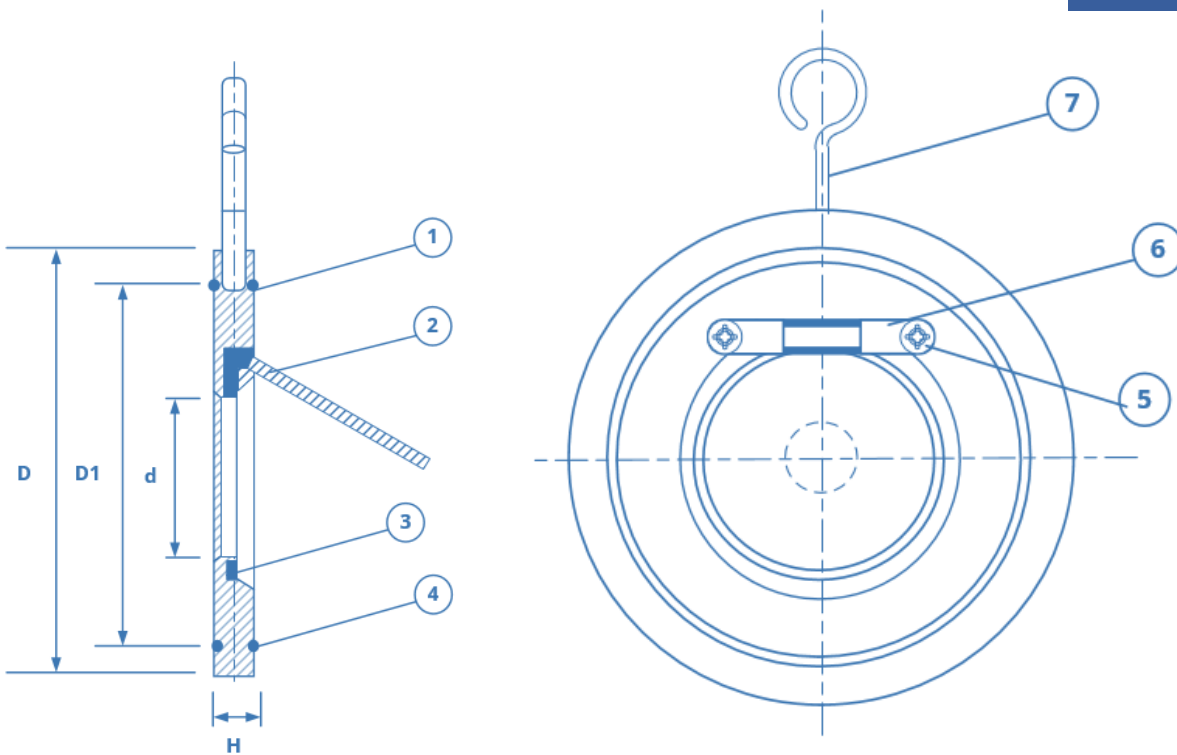


Description

Balancer Clapet pour le montage entre brides à BS4504, DIN PN16 et ANSI 150 brides . Marquage CE conformément aux PED 97/23 / CE . Convient pour les services généraux, traitement de l'eau et d'autres liquides / gaz . Ne convient pas pour les médias avec des composants solides . Cette vanne a réduit caractéristiques d'écoulement .

[View Product Online](#)

[Click Here](#)



Material List

| Item | Description | Material |
|------|-----------------|--|
| 1 | Body | Zinc Plater Carbon steel |
| 2 | Disk | 2"-8" 316 St St, 10"-12" Zinc plated steel |
| 3 | Disc O Ring | NBR (BUNA) or EPDM |
| 4 | External O Ring | NBR (BUNA) or EPDM |
| 5 | Axis Screw | Stainless Steel CF8M SS 316 |
| 6 | Stem Stopper | Stainless Steel CF8M SS 316 |
| 7 | Hook | 304 St St |

Dimensions

| Size | d | D | H | KGS |
|-------|-----|-----|----|------|
| DN40 | 22 | 95 | 14 | 0.7 |
| DN50 | 32 | 109 | 14 | 0.9 |
| DN65 | 40 | 128 | 14 | 1.2 |
| DN80 | 54 | 145 | 14 | 1.5 |
| DN100 | 70 | 165 | 18 | 2.5 |
| DN125 | 92 | 195 | 18 | 3.2 |
| DN150 | 112 | 112 | 20 | 5.3 |
| DN200 | 154 | 275 | 22 | 9.7 |
| DN250 | 200 | 330 | 26 | 16.2 |
| DN300 | 240 | 387 | 32 | 28 |

CE marked in accordance with PED 97/23/EC

To fit between BS4504 DIN PN10, PN16 and ANSI 150 Flanges

PN10, PN16 and ANSI 150 Rated
NBR Seat with EPDM options
0°C to + 95°C

Fits between PN10/16 & ANSI 150 flanges
Eye bolt supplied to aid installation
Weight and space saving

Other Similar Options

PVC Wafer Check
Swing Spring Check

