

## Cast Iron Handwheel Operated Uni-Directional Knife Gate Valve

- Size Range DN50 – DN300
- Fits between PN10 flanges
- NBR, EPDM and Metal Seat Options
- Low pressure loss
- Cast Iron & Stainless Steel Body Option

### DESCRIPTION

An Economic, yet tough and reliable, Uni-Directional Cast Iron Epoxy Coated Knife Gate Valve. Handwheel operated, Lugged and tapped, it is suitable to fit between PN10 flanges up to 10" and PN6 Flanges for 12" - 16". EPDM seal with options for NBR seals. Rising stem. Sizes range from DN50 - DN300 Used for water, in water treatment, food, chemical and pulp industries.

### Typical applications include:

water treatment, cement industry, bulk handling and food industries.

- **Optional extras:**
- Limit Switches (double Roller) fitted
- Position Detectors (inductive sensor)
- Can be actuated
- Quick Opening Lever option



### Description

Suitable for On/Off isolation of fluids and other medium. This inexpensive tough and reliable handwheel operated knife gate valve is offered in sizes ranging from DN50-DN300. Cast iron body, epoxy coated and gate in 304 EPDM seat with NBR seat options.



### Beschreibung

Geeignet für die Ein / Aus-Isolierung von Flüssigkeiten und anderen Medien. Dieses kostengünstige, robuste und zuverlässige handradbetätigte Messerschieberventil wird in Größen von DN50 bis DN300 angeboten. Gusseisenkörper, epoxidbeschichtet und Tor in 304 EPDM-Sitz mit NBR-Sitzoptionen.



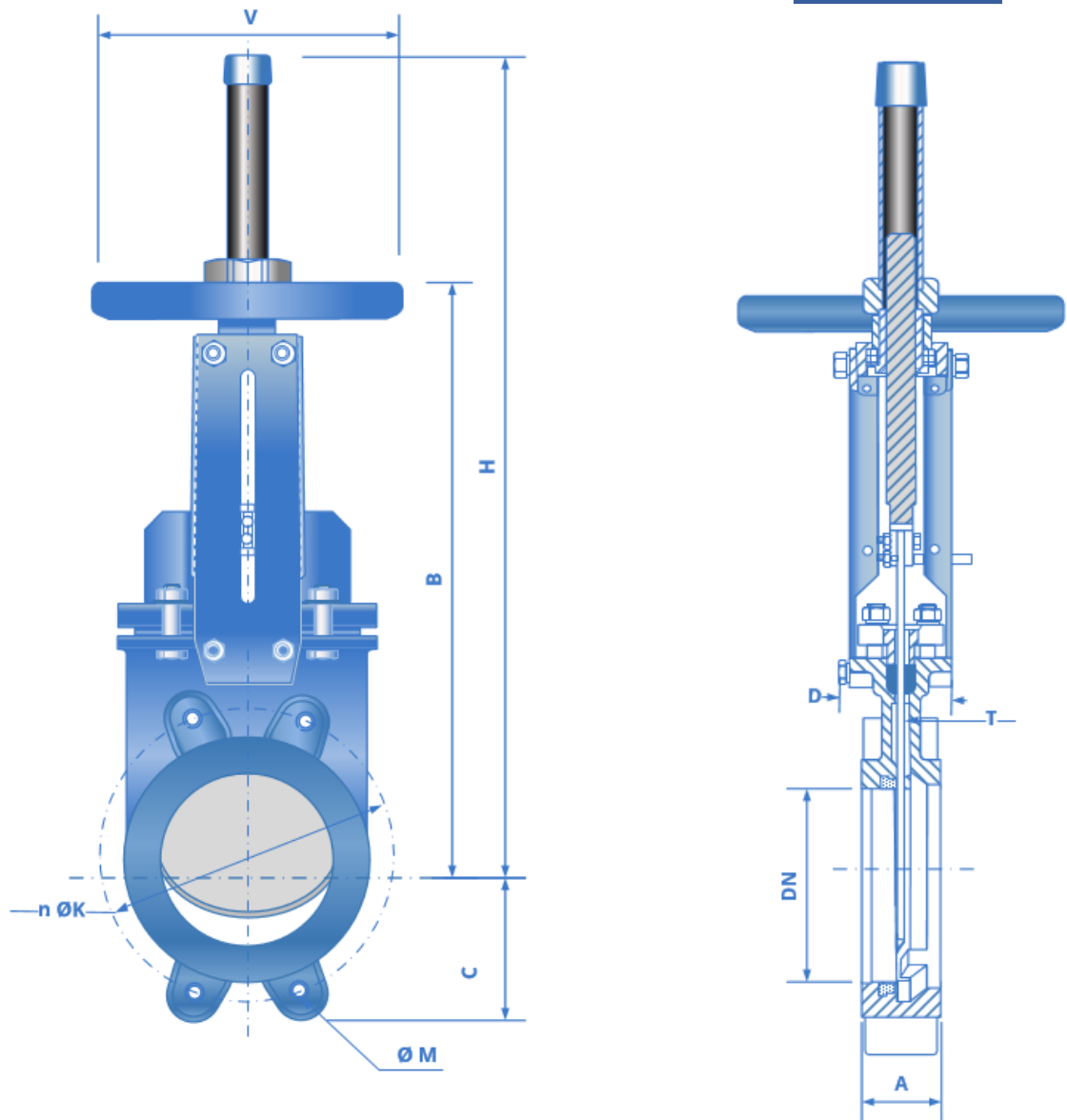
### Descripción

Adecuado para el aislamiento On / Off de fluidos y otros medios. Esta válvula de guillotina operada por volante, económica, resistente y confiable se ofrece en tamaños que van desde DN50-DN300. Cuerpo de hierro fundido, recubierto de epoxi y puerta en asiento EPDM 304 con opciones de asiento NBR.



### Description

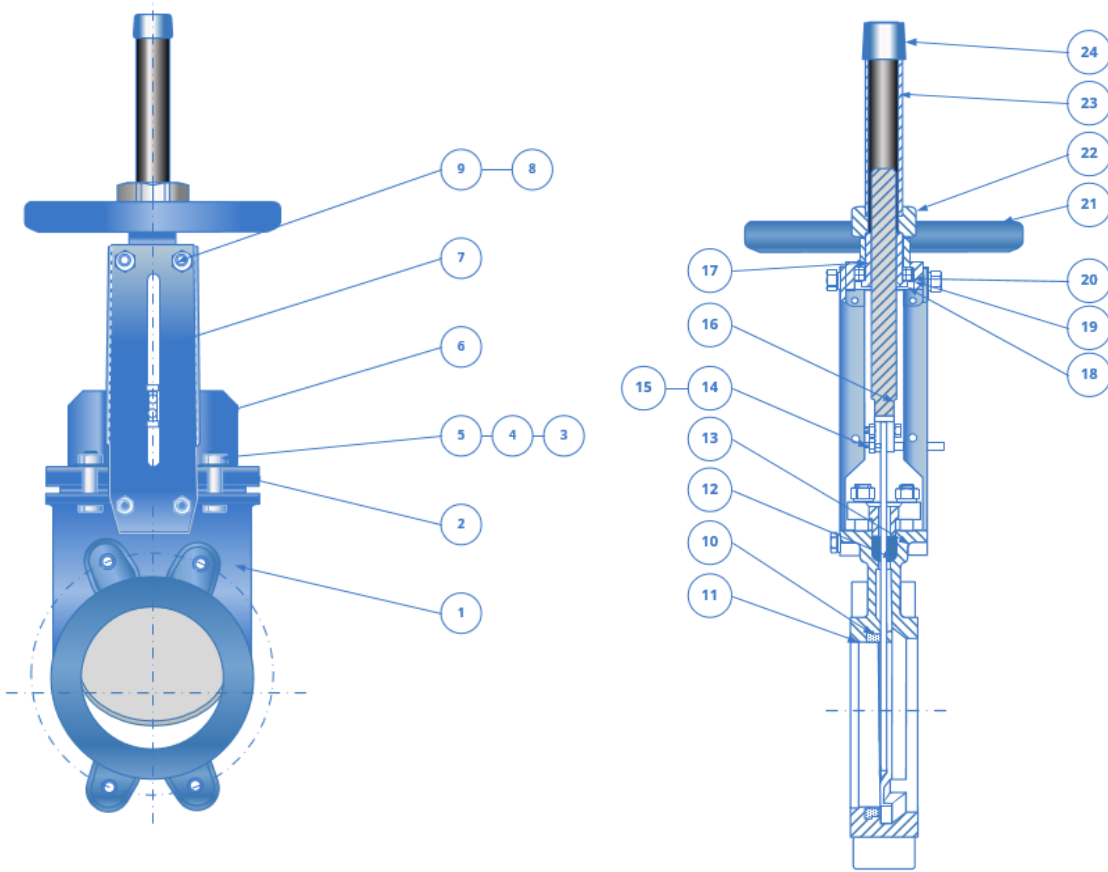
Convient pour l'isolement marche / arrêt des fluides et autres milieux. Cette vanne à guillotine à commande manuelle, robuste et fiable, peu coûteuse, est proposée dans des tailles allant de DN50 à DN300. Corps en fonte, revêtement époxy et porte en siège EPDM 304 avec options de siège NBR.



**Dimensions and Weights**

Size DN	A	B	C	D	H	V	K	T	N	M	KG Cast Iron
50	40	289	65	87	360	200	125	5	4	M16	9
65	40	313	70	87	400	200	145	5	4	M16	11
80	50	335	95	87	420	200	160	5	8	M16	12
100	50	380	108	87	488	200	180	5	8	M16	13
125	50	415	124	98	564	250	210	6	8	M16	18
150	60	470	135	98	635	250	240	6	8	M20	22
200	60	580	165	123	809	300	295	8	8	M20	40

All information is sourced from our manufacturer's data and is intended for guidance only - ValvesOnline can accept no liability for changes, omissions or errors.



### Material Specifications

Item	Description	Material
1	Body	GGG40 Cast Iron
2	Packing Gland	GGG40 Cast Iron
3	Nut	Steel
4	Washer	Steel
5	Stud A Bolt	Steel
6	Gate	304 Stainless Steel
7	Plate Stay	Steel
8	Bolt	Steel
9	Spring washer	Steel
10	Seat	EPDM
11	Retainer	304 Stainless Steel
12	Packing Gland	PTFE
13	O-Ring	NBR
14	Position Indicator	304 Stainless Steel
15	Nut	304 Stainless Steel
16	Stem	304 Stainless Steel
17	Stem Nut	Bronze
18	Connect seal	Steel
19	Closing Ring	65MN
20	Bearing	Steel
21	Handwheel	Steel
22	Stem Nut	Steel
23	Hood	Steel
24	Hood Cover	Plastic

### Pressure / Temperature

Pressure	PN10 2" - 10"
	PN6 12" - 16"
Temp.	-10°C/+120°C

All information is sourced from our manufacturer's data and is intended for guidance only - ValvesOnline can accept no liability for changes, omissions or errors.