





SKU: BV5163

-  High Pressure Ball Valve Hydraulic Stainless Steel BKH
-  Hochdruck -Kugelhahn Hydraulik Edelstahl BKH
-  Alta Presión Válvula de bola de acero inoxidable hidráulico BKH
-  Haute Pression Ball Valve hydraulique en acier inoxydable BKH

Valves[™]
O N L I N E

- 1/8" - 11/2" High Pressure BKH Ball Valve
- 1/8" - 11/2" Hochdruck BKH -Kugelhahn
- 1/8" - 11/2" Válvula de bola de alta presión BKH
- 1/8" - 11/2" Haute Pression BKH Ball Valve

**250 – 500 Bar
BSP and NPT**



- Side Drilled
- Temp 100°C
- Body 316 Stainless Steel
- 250-500 Bar
- Lever Operated

Description

2 way High pressure hydraulic ball valve type BKH Series. Manufactures in Stainless steel. Nitril stem seal and POM-MoS2 ball seal
Temp -20°C to 100°C



Description

High pressure screwed BSP parallel ball valve in stainless steel. Lever operated. Many options are available with this valve including various end connections, locking devices. Can be fitted with limit switches and onto pneumatic actuators.



Beschreibung

Hochdruck BSP parallel Kugelhahn in Edelstahl verschraubt . Hebel betätigt . Viele Optionen stehen zur Verfügung mit diesem Ventil mit verschiedenen End-Verbindungen , Verriegelungen . Kann mit Endschalter und auf pneumatischen Antrieben ausgerüstet werden.



Descripción

Alta presión atornilla la válvula de bola paralela BSP en acero inoxidable. Palanca accionada . Muchas opciones están disponibles con esta válvula que incluye varias conexiones finales , dispositivos de bloqueo . Puede ser equipado con interruptores de límite y en los actuadores neumáticos .



Description

Haute pression vissé BSP vanne à boisseau sphérique parallèle en acier inoxydable . À levier . De nombreuses options sont disponibles avec cette vanne comprenant divers raccords d'extrémité , des dispositifs de verrouillage . Peut être équipé de fins de course et sur les actionneurs pneumatiques .



High Pressure Ball Valve Hydraulic Stainless Steel BKH
 Hochdruck -Kugelhahn Hydraulik Edelstahl BKH
 Alta Presión Válvula de bola de acero inoxidable hidráulico BKH
 Haute Pression Ball Valve hydraulique en acier inoxydable BKH

Valves™

ONLINE

BSP High Pressure Stainless Steel Ball Valve

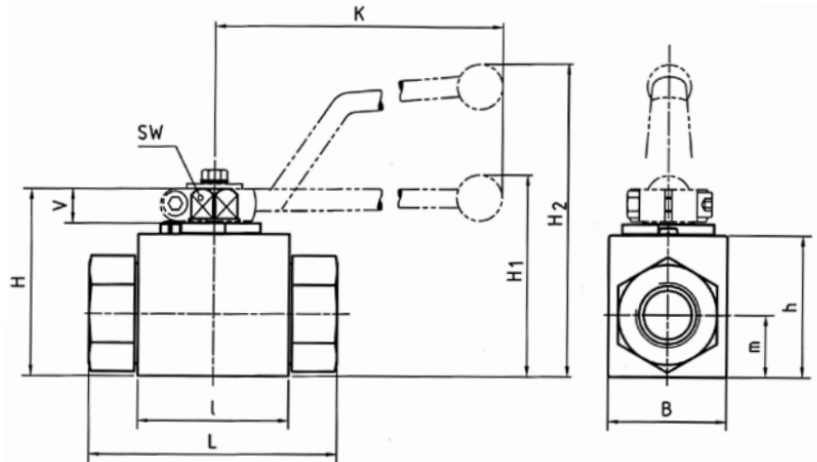
Description

Type BKH High Pressure Ball Valve

A Stainless Steel High Pressure ball Valve screwed BSP Parallel. Lever Operated and suitable for pressures up to 500Bar. Full Bore up to 3/4" and reduced bore from 1".

Options

- NPT Ends
- Compression Ends
- Drilled for actuation
- Pad lockable



Pressure / Temperature Ratings

Working pressure	250 - 500 Bar
Temperature	-20°C to 100°C

Pressure Ratings





1/8"	500 bar
1/4"	500 bar
3/8"	500 bar
1/2"	500 bar
3/4"	315
*1"	315
* 1 1/4"	315 bar
* 1 1/2"	315 bar

Material List

Body	316 stainless steel
Stem	316 stainless steel
Stem Seal	NITRIL (others on request)
Ball Seal	POM-MoS2 (others on request)

Dimensions - BSP

Type	DN	LW	L	I	B	H	h	m	V	SW	K	i	d	Weight
BKH-G1/8	4	5	69	40	26	47	33	13,5	11	9	115	10	G1/8	0.41
BKH-G1/4	6	6	69	40	26	47	33	13,5	11	9	115	14	G1/4	0.4
BKH-G3/8	10	10	72	43	32	52	38	17,5	11	9	115	14	G3/8	0.54
BKH-G1/2	13	13	104	48	35	54	40	19	11	9	115	16,3	G1/2	0.65
BKH-G3/4	20	20	107	62	49	75	57	24,5	14	14	200	18	G3/4	1.5
BKH-G1	25	25	119	66	58	83	65	29,5	14	14	200	20	G1	2.2
BKH-G1-1/4	25/32	25	120	66	58	83	65	29,5	14	14	200	22	G1-1/4	2.3
BKH-G1-1/2	25/40	25	129	66	58	83	65	29,5	14	14	200	22	G1-1/2	2.6

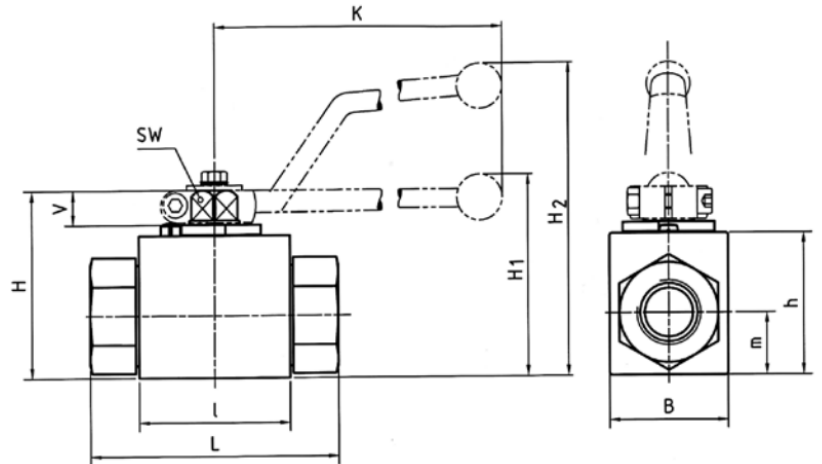
-  High Pressure Ball Valve Hydraulic Stainless Steel BKH
-  Hochdruck -Kugelhahn Hydraulik Edelstahl BKH
-  Alta Presión Válvula de bola de acero inoxidable hidráulico BKH
-  Haute Pression Ball Valve hydraulique en acier inoxydable BKH

NPT High Pressure Stainless Steel Ball Valve

Description

Type BKH High Pressure Ball Valve

A Stainless Steel High Pressure ball Valve screwed NPT. Lever Operated and suitable for pressures up to 500Bar. Full Bore up to 3/4" and reduced bore from 1".

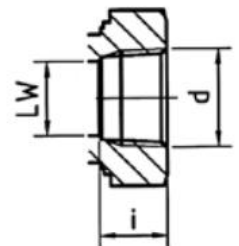


Pressure / Temperature Ratings

Working pressure	315 - 500 Bar
Temperature	-20°C to 100°C

Pressure Ratings

1/8"	500 bar
1/4"	500 bar
3/8"	500 bar
1/2"	500 bar
3/4"	315
*1"	315
* 1 1/4"	315 bar
* 1 1/2"	315 bar



NPT
ANSI B1.20.1

Material List

Body	Steel 11SMn28K - Yellow Zinc Passivated
ball	Brass - Mirror finish chromed
Stem Seal	NITRIL (others on request)
Ball Seal	POM-MoS2 (others on request)

Dimensions - NPT

Type	DN	LW	L	I	B	H	h	m	V	SW	K	i	d	Weight
BKH-G1/8	4	5	69	40	26	47	33	13,5	11	9	115	10	G1/8	0.41
BKH-G1/4	6	6	69	40	26	47	33	13,5	11	9	115	14	G1/4	0.4
BKH-G3/8	10	10	78	43	32	52	38	17,5	11	9	115	14	G3/8	0.54
BKH-G1/2	13	13	104	48	35	54	40	19	11	9	115	16,3	G1/2	0.65
BKH-G3/4	20	20	107	62	49	75	57	24,5	14	14	200	18	G3/4	1.5
BKH-G1	25	25	119	66	58	83	65	29,5	14	14	200	20	G1	2.2
BKH-G1-1/4	25/32	25	130	66	58	83	65	29,5	14	14	200	22	G1-1/4	2.3
BKH-G1-1/2	25/40	25	129	66	58	83	65	29,5	14	14	200	22	G1-1/2	2.6