





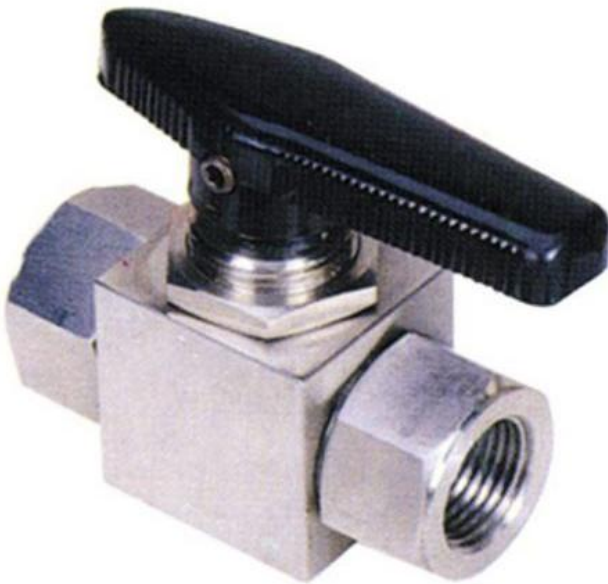
SKU: BV5158

-  High Pressure Stainless Steel Block Ball Valve 400 Bar
-  Hochdruck - Edelstahl-Blockkugelhahn 400 Bar
-  De alta presión de la válvula de bola de bloque de acero inoxidable de 400 bar
-  Haute pression en acier inoxydable Bloc Ball Valve 400 Bar

**Valves**<sup>™</sup>  
O N L I N E

- 1/4 " – 1/2" Stainless Steel High Pressure Ball Valve Ball Valve
- 1/4 " – 1/2" Edelstahl Hochdruck -Kugelhahn Kugelhahn
- 1/4 " – 1/2" Válvula de bola Válvula de bola de acero inoxidable de alta presión
- 1/4 " – 1/2" Acier inoxydable à haute pression Ball Valve Ball Valve

## High Pressure Stainless Steel Ball Valve 400 Bar



### Description

Stainless steel body from bar stock, screwed either BSPP, BSPT and NPT. Ball and Stem Stainless steel, rated 400 bar. Temperature 0°C to 40°C



### Description

Stainless steel block body with stainless steel ball and stem. 400 bar rated in sizes from 1/4" - 1/2" Pointer Lever operated Screwed BSPP , BSPT



### Beschreibung

Edelstahl- Blockkörper mit Edelstahl-Kugel und Stiel. 400 bar bewertet in Größen von 1/4 " - 1/2 " Pointer Hebel betätigt Screwed BSPP , BSPT



### Descripción

cuerpo de acero inoxidable con bloque de bola de acero inoxidable y el tallo . 400 bar clasificar en tamaños desde 1/4 " - 1/2 " Puntero palanca accionada atornillado BSPP , BSPT



### Description

corps de bloc en acier inoxydable avec bille en acier inoxydable et de la tige . classé dans les tailles de 1/4 " - 1/2 " Pointer levier 400 bar exploité Screwed BSPP , BSPT

## Pointer Lever Handle

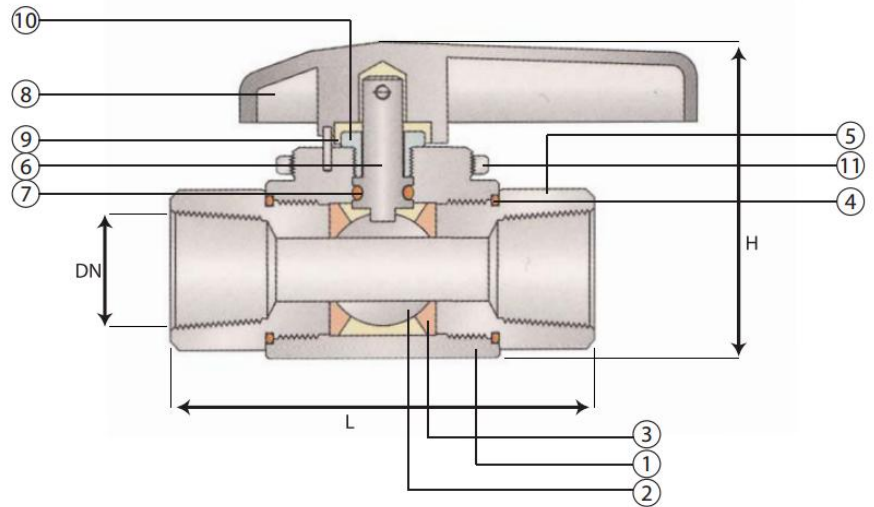


High Pressure Stainless Steel Block Ball Valve 400 Bar  
 Hochdruck - Edelstahl-Blockkugelhahn 400 Bar  
 De alta presión de la válvula de bola de bloque de acero inoxidable de 400 bar  
 Haute pression en acier inoxydable Bloc Ball Valve 400 Bar

**Valves**<sup>™</sup>  
**ONLINE**

## High Pressure Stainless Steel Ball Valve

Temperature 0°C to 40°C  
 Pressure up to 400 Bar



### Material List

Item	Description	Material
1	Body	A479-316 Stainless Steel
2	Ball	A479-316 Stainless Steel
3	Seal	POM
4	O-Ring	BUNA N
5	Adaptor	A479-316 Stainless Steel
6	Spindle	A479-316 Stainless Steel
7	O-Ring	BUNA N
8	Handle	Phenolic
9	Lock Pin	A479-316 Stainless Steel
10	Gland Nut	A479-316 Stainless Steel
11	Panel Nut	A479-316 Stainless Steel
12	Nut	A479-316 Stainless Steel
13	Ferrule Set	A479-316 Stainless Steel

### Dimensions

Size	L	H
1/4"	70	50
3/8"	72	50
1/2"	85	60