



## Economy 3 Way Pneumatic Actuated Brass Ball Valve 1/4"-2"

- L or T port flow path
- Namur interface
- Compact and lightweight
- Cost effective
- Single and double acting

### Description

A Compact and lightweight combination of pneumatic actuator and 3 way brass reduced bore ball valve. The valve is nickel plated with PTFE seats, hard chrome plated ball and screwed BSP parallel female. The valve and pneumatic actuator fit directly onto each other so no mounting kit is required, thus making the package more compact and cost effective. A Namur interface allows easy fitting of both solenoid and position switch box. The pneumatic actuator has been sized with a 30% safety factor and has a Namur interface that accommodates a switchbox or solenoid. Typical Applications for this unit includes automatic diverting of clean liquids and gases. Modular program for mounting of quarter turn valves such as ball valves and butterfly valves NAMUR and ISO 5211 interfaces



### Description

A brass 3-way reduced bore ball valve, screwed BSP with either L or T port flow path. Suitable for pressures up to PN 40 (see chart) and temperatures of 100° C. The valve is supplied with a double acting (air to open and air to close) pneumatic actuator, alternatively a spring close/open fail safe pneumatic actuator. Both actuators have been sized on 5.5 bar pilot pressure.



### Beschreibung

Ein Messing 3-Wege- Kugelhahn mit reduziertem Durchgang , geschraubt BSP mit entweder L oder T-Anschluss Strömungspfad . Geeignet für Drücke bis PN 40 (siehe Grafik) und Temperaturen von 100° C. Das Ventil ist mit einem doppelt wirkenden geliefert (Luft öffnet und Luft und zum Schließen) Pneumatiktrieb , wahlweise eine Feder Schließen / Öffnen fail safe pneumatischen Antrieb . Beide Antriebe sind auf 5,5 bar Steuerdruck bemessen worden .



### Descripción

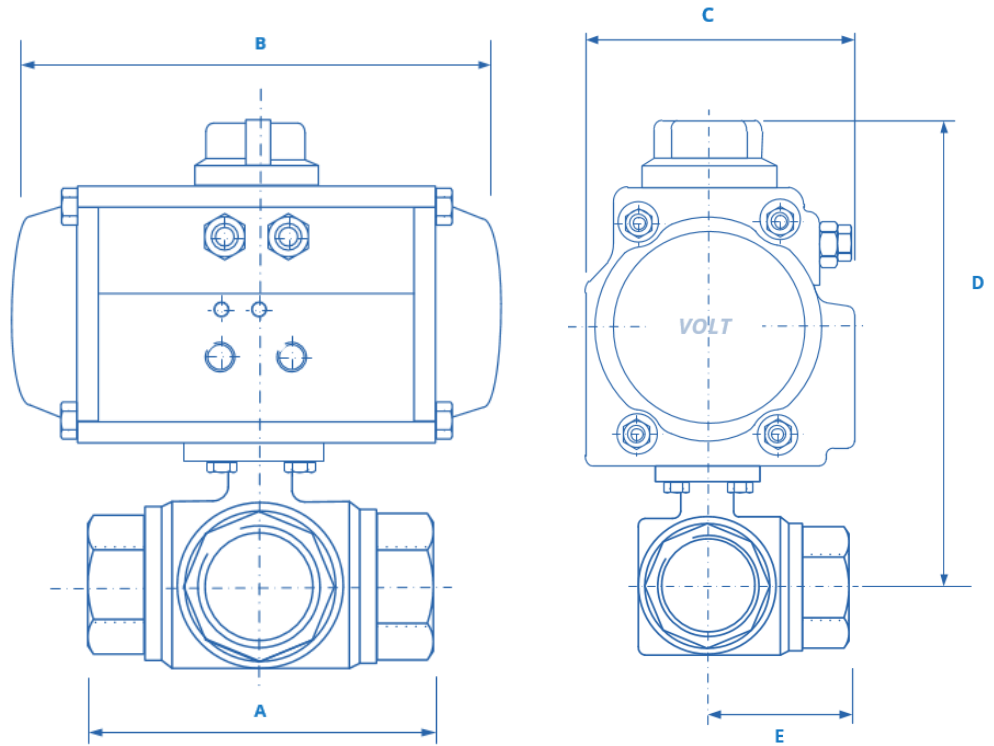
A 3 vías válvula de bola de paso reducido latón, rosca BSP con L o vía de flujo de la conexión T . Adecuado para presiones hasta PN 40 (ver gráfico) y temperaturas de 100° C. La válvula se suministra con un doble efecto (aire para abrir y aire para cerrar ) actuator neumático , alternatively, un resorte de cierre / apertura falle actuator neumático seguro. Ambos actuadores se han dimensionado en la presión de mando 5,5 bar.



### Description

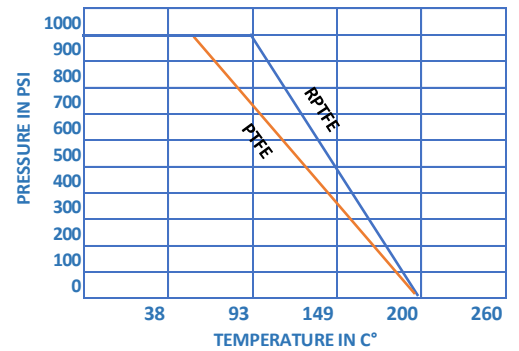
Un laiton vanne 3 voies passage réduit de balle , vissé BSP avec L ou chemin d'écoulement de l'orifice T . Convient pour des pressions allant jusqu'à PN 40 (voir graphique) et des températures de 100 ° C. La vanne est livrée avec un double effet (air pour ouvrir et de l'air pour fermer ) actionneur pneumatique , en variante, un proche de printemps / open sûr actionneur pneumatique sécuritaire . Les deux actionneurs ont été dimensionnés sur la pression pilote de 5,5 bar.

- L or T port flow path
- Namur interface
- Compact and lightweight
- Cost effective
- Single and double acting

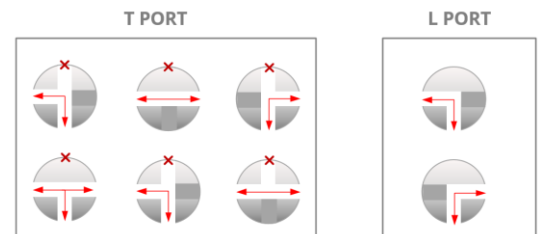


Dimensions							
Valve	Spring Return	A	B	C	D	E	Kg
1/2"	HP50S	82	144	72	145.5	41	2.1
3/4"	HP50S	90	144	72	148.5	45	2.53
1"	HP50S	106	144	72	158	53	3.1
1 1/4"	HP50S	120	144	72	162	60	3.7
1 1/2"	HP63S	142	163	85	180	71	5.7
2"	HP63S	165	163	85	187.5	82.5	8
2 1/2"	HP66S	194	202	85	197.5	97	9.4

PRESSURE V TEMPERATURE CHART



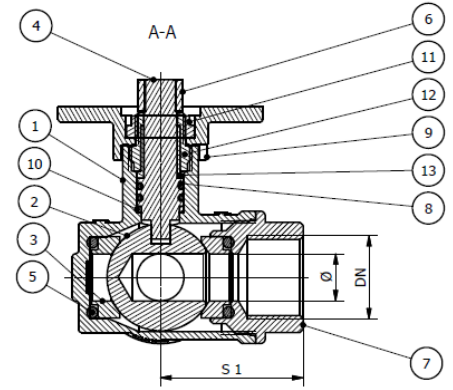
Dimensions							
Valve	Double Acting	A	B	C	D	E	Kg
1/2"	HPD50	82	144	72	145.5	41	1.8
3/4"	HPD50	90	144	72	148.5	45	2.23
1"	HPD50	106	144	72	158	53	2.8
1 1/4"	HPD50	120	144	72	162	60	3.4
1 1/2"	HPD63	142	163	85	180	71	5.5
2"	HPD63	165	163	85	187.5	82.5	7.8
2 1/2"	HPD63	194	163	85	197.5	97	8.6



FLOW PATHS

## Material List

Body	EN12420-CW617N-Nickled
Ball	EN12420-CW617N-Chromium Plated
Seat	PTFE F391
Pushrod	EN12164-CW614N
O-Ring	NBR
Square	EN12164-CW614N
Sleeve	EN12420-CW617N-Nickled
O-Ring	NBR
Motor Plate Disc	EN12420-CW617N-Nickled
Anti-Scuff Ring	PTFE F391
Nut	EN12164-CW614N
Nut	EN12164-CW614N
Anti-Scuff Ring	PTFE F391



## Technical - Actuator

Body material	Hard anodised extruded aluminium alloy
End Caps	Die cast aluminium epoxy coated
Spring	High tensile steel
Indicator	Open/Closed
Pinion shaft	Alloy steel nickle plated
Pinion Guides	Self Lubricating Polypropylene + GF
Piston seals	NBR steel

## Specification

Pressure range	10 Bar
Double acting	2.5 Bar - 8 Bar
Single acting - Open or Close	2.5 Bar - 8 Bar
Temperture range	minus 20°C - 80°C
Movement	90 Degree adjustable -5-+5 Degree
Lubrication	All moving parts are lubricated
Cycle Life	1,000,000 operations
Approvals	ATEX, CE, PED

## Pressure / Temperature Ratings

Max Pressure	40 Bar
Temperature	-10°C to 100°C



**Shows actuated valve with pilot solenoid and switchbox**