



Pneumatic Actuated Lugged Butterfly Valve PN16

- 2" to 12"
- EPDM or NBR Liner Option
- PN16 Lugged and Tapped
- Smooth and Reliable Operation
- 316 Disc and Shaft
- Namur Interface on Actuator

Description

An industrial well proven general purpose Lugged butterfly valve, that's fitted to either a spring return or double acting pneumatically actuator. The valve has an Epoxy coated ductile iron body, stainless steel disc and shaft, with options of EPDM or BUNA (Nitrile) liners. Lugged and Tapped the valve is suitable for fitting between PN16 flanges and suitable for end of line duty. The pneumatic actuator type HP is a quarter turn rack and pinion actuator and designed for process or industrial use. It has been sized with 30% safety factor and sized with a pilot pressure of 5.5 bar air. The actuator has Namur interfaces for both pilot solenoid valve and switchbox/sensors.

Typical Applications: Used for general purpose pumping and water applications.
Easy to Maintain, Reliability - Robustness, High Duty cycle.

LINER OPTIONS

EPDM to 130°C
NBR to 110°C



Description

A strong and efficient pneumatic actuated butterfly valve. Lugged and tapped, supplied with a choice of soft seat liners EPDM or NBR and stainless steel disc and shaft. The pneumatic actuator has interface for fitting solenoid and switchbox, it can be supplied in either double acting or spring return configuration. Actuator fitted with position indicator and end stops as standard.



Beschreibung

Eine starke und effiziente pneumatisch betätigte Drosselklappe. Geschleppt und angezapft, mit einer Auswahl an weichen Sitz Auskleidungen EPDM oder NBR und Edelstahlscheibe und Welle geliefert. Der pneumatische Antrieb verfügt Schnittstelle für den Einbau Magnet und Schaltbox, kann es entweder doppelwirkend oder mit Federrück Konfiguration geliefert werden. Antrieb montiert mit Positionsanzeige und Anschläge als Standard.



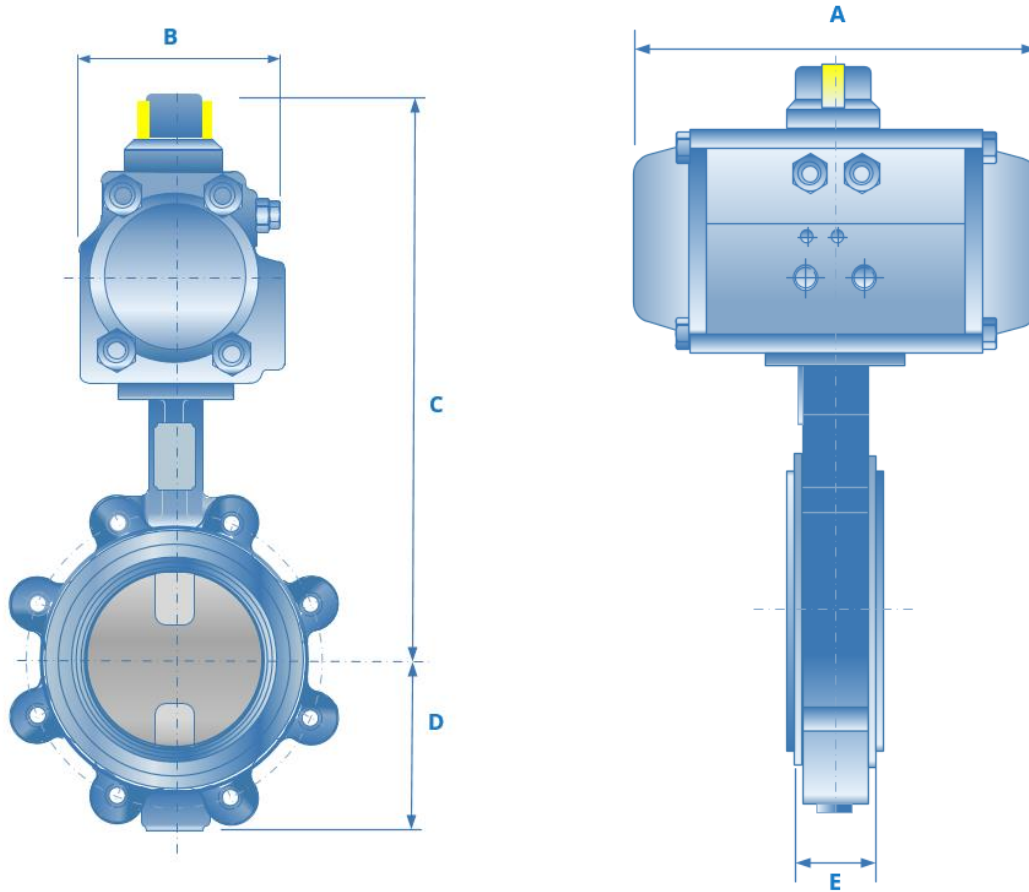
Descripción

Un accionamiento neumático válvula de mariposa fuerte y eficiente. Tacos y pulsado, se suministra con una selección de revestimientos blandos de EPDM o NBR asiento y disco de acero inoxidable y el eje. El actuador neumático tiene una interfaz para el solenoide apropiado y caja de distribución, puede ser suministrado en cualquier configuración de doble efecto o de retorno por resorte. Actuador equipado con indicador de posición y topes de serie.



Description

Un pneumatique actionné valve forte et efficace de papillon. Crantée et taraudé, fourni avec un choix de doux revêtements de siège EPDM ou NBR et disque en acier inoxydable et de l'arbre. L' actionneur pneumatique possède une interface pour électroaimant montage et switchbox, il peut être fourni soit à double effet ou la configuration de retour du printemps. Actionneur équipé d' indicateur de position et butées en standard.



SPRING RETURN - DIMENSIONS

VALVE	ACTUATOR	A	B	C	D	E
2" (50mm)	HP63S	163	85	233	63	43
2 1/2" (65MM)	HP66S	202	85	240	69	46
3" (80mm)	HP75S	210	96	274	78	46
4" (100mm)	HP88S	247	108	306	106	52
5" (125mm)	HP115S	268	123	329	115	56
6" (150mm)	HP115S	316	141	362	128	56
8" (200mm)	HP145S	414	172	447	160	60
10" (250mm)	HP180S	467	190	484	190	68
12" (300mm)	HP180S	497	206	551	235	78

Type PA5261 Pneumatic actuated butterfly valves are designed to meet the demanding needs of today's process flow requirements. All our actuated valves packages are inspected during assembly and each unit is 100% tested before delivery.

DOUBLE ACTING - DIMENSIONS

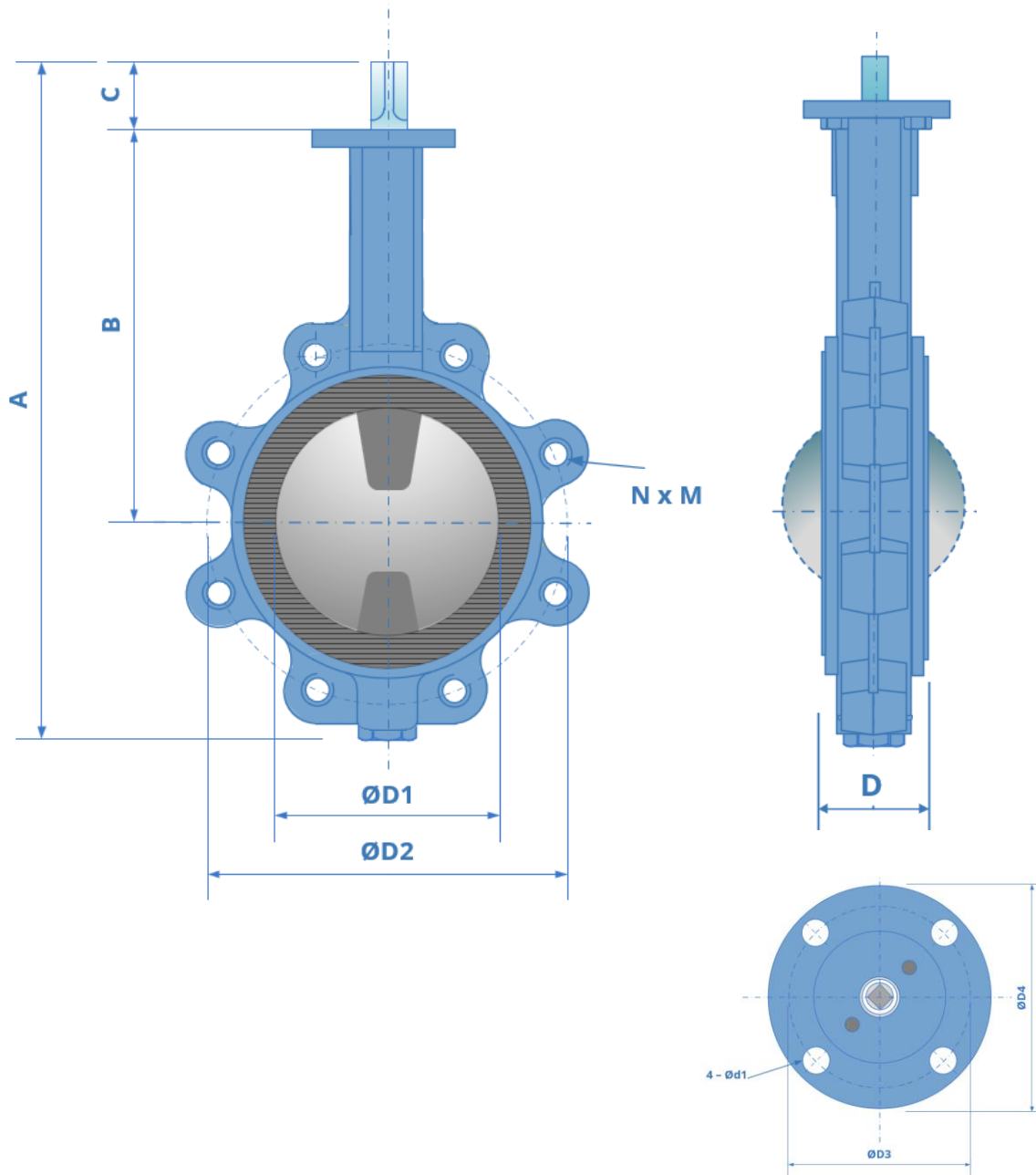
VALVE	ACTUATOR	A	B	C	D	E
2" (50mm)	HP50D	144	72	219	63	43
2 1/2" (65MM)	HP50D	144	72	226	69	46
3" (80mm)	HP63D	163	85	257	78	46
4" (100mm)	HP66D	202	85	277	106	52
5" (125mm)	HP88D	210	96	305	115	56
6" (150mm)	HP88D	247	108	332	128	56
8" (200mm)	HP115D	316	141	404	160	60
10" (250mm)	HP125D	414	151	437	190	68
12" (300mm)	HP145D	497	172	509	235	78

Standard Specification

	Actuator	Valve
Pressure	5.5 to 8 Bar	Maximum 16 Bar
Temperature	-20° to 80°C	-10 to 120°C
Liner	EPDM or BUNA	
Disc/Shaft	316 SS	

All information is sourced from our manufacturer's data and is intended for guidance only - Valves Online can accept no liability for changes, omissions or errors.

PA5261

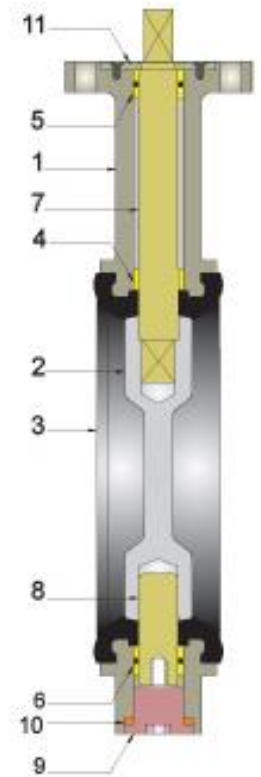


DIMENSIONS

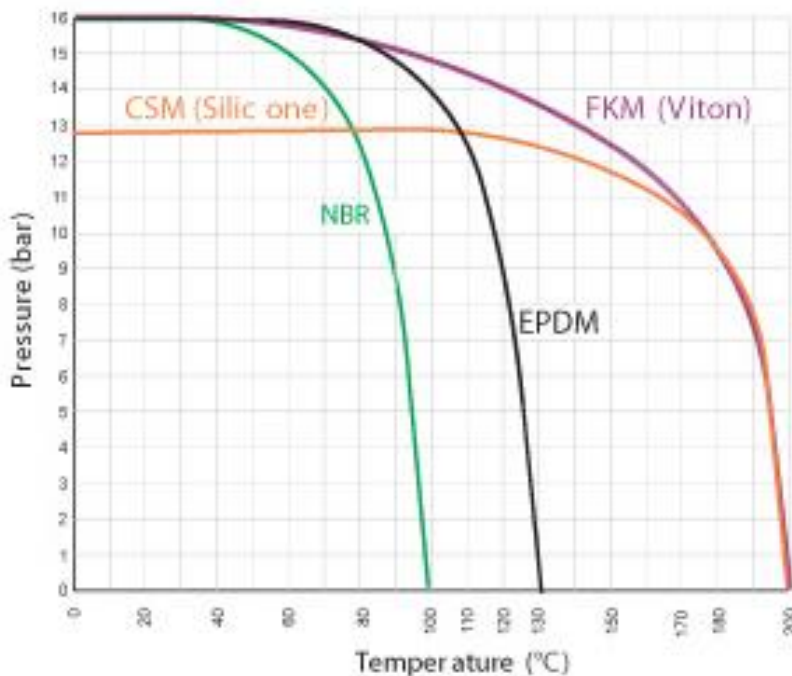
DN	A	B	D	nxm	D1	D2
50	205	126	43	4xM16	50.8	125
65	218	133	46	4xM16	65.1	145
80	244	150	46	4xM16	78.8	160
100	295	170	52	8xM16	102	180
125	321	181	56	8xM16	125.1	210
150	349	196	56	8xM16	150.1	240
200	428	238	60	12xM20	199.8	295
250	487	258	68	12xM24	248.3	355
300	574	300	78	12xM24	298.3	410

All information is sourced from our manufacturer's data and is intended for guidance only - Valves Online can accept no liability for changes, omissions or errors.

Part No.	Name	Material
1	Body	Rilsan Coated GG25 Cast Iron
2	Disc	AISI316 Stainless Steel
3	Seat	EPDM (-30°C - +130°C)
		NBR (-20°C - +110°C)
4, 5, 6	Bushing	Bronze PTFE
7	Shaft up	Stainless steel
8	Shaft low	Stainless steel
9	Cap	Carbon Steel
10	O Ring	NBR (-20°C - +110°C)



DN25-300
Sizes



All information is sourced from our manufacturer's data and is intended for guidance only - Valves Online can accept no liability for changes, omissions or errors.

PA5261

Rack & Pinion pneumatic actuators are specifically designed for use with quarter-turn valves. The wide torque range ensures that our actuators match the operational characteristics of plug, ball or butterfly valves; or any device requiring precise and reliable 90° rotary motion.

Our pneumatic actuators offer a unique design, are constructed of high quality material and undergo 100% pressure, leak and rotation testing before despatch.

The Result? An actuator, which will stand up to the most severe service conditions, and provide you with a reliable and cost effective means of valve operation.



Technical - Actuator

Body material	Hard anodised extruded aluminium alloy
End Caps	Die cast aluminium epoxy coated
Spring	High tensile steel
Indicator	Open/Closed
Pinion shaft	Alloy steel nickle plated
Pinion Guides	Self Lubricating Polypropylene + GF
Piston seals	NBR steel
Specification	
Pressure range	10 Bar
Double acting	2.5 Bar - 8 Bar pilot pressure
Single acting	2.5 Bar - 8 Bar pilot pressure
Temperture range	minus 20°C - 80°C
Movement	90 Degree adjustable -5-+5 Degree
Lubrication	All moving parts are lubricated
Cycle Life	1,000,000 operations
Approvals	EX, ATEX, CE, PED

**SELECT YOUR
PERFECT VALVE**



All information is sourced from our manufacturer's data and is intended for guidance only - Valves Online can accept no liability for changes, omissions or errors.