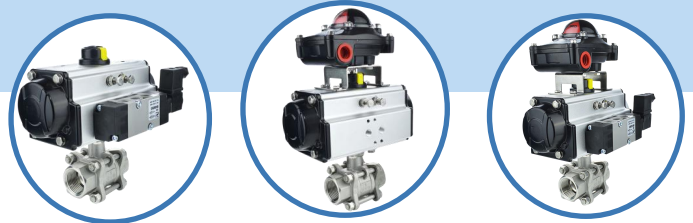




Economy Pneumatic Actuated 3 Piece Stainless Steel Ball Valve

- Full Bore
- Screwed BSPT
- 1000 PSI Rated
- Stainless Steel Body
- Spring Close or Double Acting Actuator
- Options for Pilot Solenoid & Switchbox
- ¼" - 4" Sizes

Can be fitted with



Description

A stainless steel three piece full bore ball valve, fully maintainable with RPTFE seats. End connections screwed BSPT. The valve is fitted onto our HP Pneumatic actuator in either spring return or double acting versions. Actuator pilot pressure Min 5.5 Bar
Valve pressures up to 1000 PSI. Temperature Range -20°C to 180°C.



Beschreibung

Ein dreiteiliger Kugelhahn aus Vollstahl mit Edelstahl, der mit RPTFE-Sitzen vollständig gewartet werden kann. Endanschlüsse BSPT verschraubt. Das Ventil ist entweder in Federrückstellung oder doppeltwirkender Ausführung an unserem pneumatischen HP-Stellantrieb angebracht. Stellpilotdruck min 5,5 bar
Ventilrücke bis 1000 PSI. Temperaturbereich -20°C bis 180°C.



Descripción

Una válvula de bola de paso total de tres piezas de acero inoxidable, totalmente mantenible con asientos de RPTFE. Conexiones finales atornilladas BSPT. La válvula se instala en nuestro actuador neumático HP en versiones de retorno por resorte o de doble acción. Presión piloto del actuador Min 5,5 bar
Presiones de válvula de hasta 1000 PSI. Rango de temperatura -20°C a 180°C.



Description

Une vanne à bille à passage intégral en acier inoxydable en trois pièces, entièrement maintenable avec des sièges RPTFE. Raccords d'extrémité vissés BSPT. La vanne est montée sur notre actionneur pneumatique HP en version à ressort de rappel ou à double effet. Pression de pilotage de l'actionneur Min 5,5 Bar
Pressions de soupape jusqu'à 1000 PSI. Plage de température -20°C à 180°C.

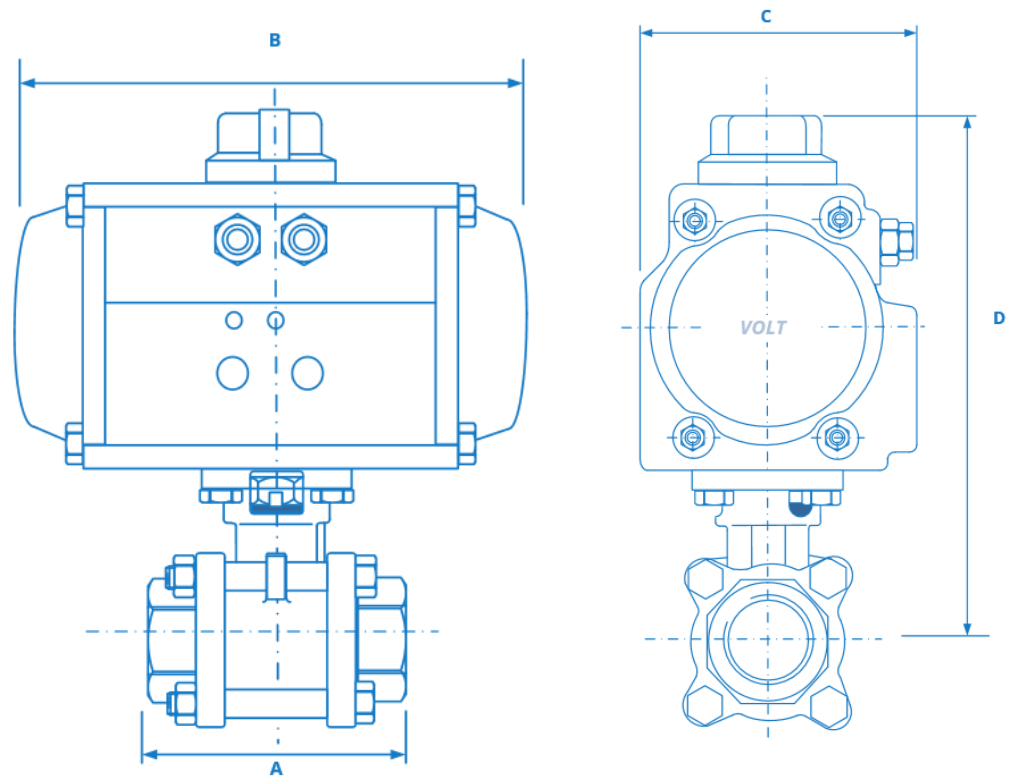
Description

A combination of HP pneumatic spring return or double acting actuator fitted to a 2 way, 3 piece stainless steel full bore ball valve. This combination offers both reliability with economy. The HP range of pneumatic actuators are manufactured from aluminium and have a hard anodised finish. Position indicator, end of stroke adjustment ($\pm 5^\circ$) and Namur interface are fitted as standard.

The ball valve Body is in stainless steel CF8M, full bore with RPTFE (15% filled) seats, PTFE seals. They are fully maintainable and have the option for screwed BSPT Taper ends.

The valve and actuator fit directly onto each other (valve has an ISO mounting pad) so no mounting kits are required, thus making the package more compact and cost effective.

The PE4107 is in a modular program range of mounting of quarter turn valves
NAMUR and ISO 5211 interfaces
Position feedback and pilot solenoids.



Double Acting

Spring Return

Dimensions					
VALVE	Double Acting	A	B	C	D
1/4"	HP50D	50	144	72	125.5
3/8"	HP50D	60	144	72	125.5
1/2"	HP50D	75	144	72	135
3/4"	HP50D	80	144	72	143
1"	HP50D	90	144	72	151
1 1/4"	HP50D	110	144	72	157
1 1/2"	HP63D	120	163	85	176.5
2"	HP63D	140	163	85	185
2 1/2"	HP75D	185	210	96	224
3"	HP88D	205	247	108	248.5
4"	HP100D	240	268	123	260.5

Dimensions					
VALVE	Spring Return	A	B	C	D
1/4"	HP50S	50	144	72	125.5
3/8"	HP50S	60	144	72	125.5
1/2"	HP50S	75	144	72	135
3/4"	HP63S	80	163	85	157
1"	HP63S	90	163	85	165
1 1/4"	HP63S	110	163	85	171
1 1/2"	HP66S	120	202	85	176.5
2"	HP75S	140	210	96	202
2 1/2"	HP100S	185	268	123	248
3"	HP115S	205	316	141	278.5
4"	HP115S	240	347	151	292



All information is sourced from our manufacturer's data and is intended for guidance only - Valves Online can accept no liability for changes, omissions or errors.

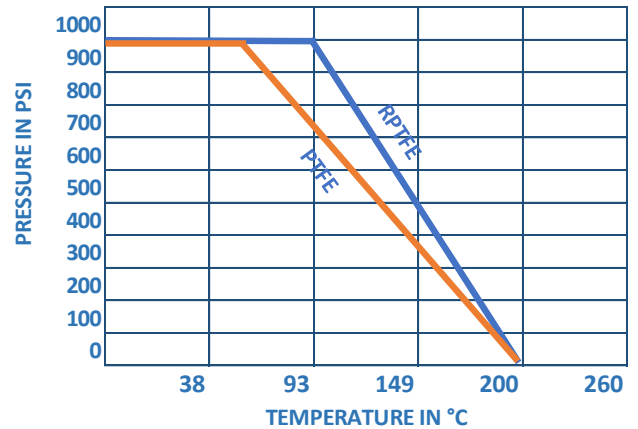
Valves Technical and Parts List

Part Name	Material
Body	CF8M
End Cap	CF8M
Ball	SUS316
Stem	SUS316
Stem Nut	SUS304
Thrust Washer	SUS304
Handle	SUS304
Seat	Reinforced PTFE (15%)
Gland Ring	SUS304
Stem Packing	PTFE
Belleville washer	SUS301
Nut	SUS304

Specification

Pressure range	1/4" - 1" 82 Bar, 1 1/4"-1 1/2" 69 Bar, 2" - 4" 62 Bar
Size	1/4" to 4"
Temperature range	minus 20° to + 200° (see graph)
Movement	90 deg turn
Cycle life	500,000 operations (based on clean water)

PRESSURE v TEMPERATURE CHART



Technical - Actuator

Body material	Hard anodised extruded aluminium alloy
End Caps	Die cast aluminium epoxy coated
Spring	High tensile steel
Indicator	Open/Closed
Pinion shaft	Alloy steel nickle plated
Pinion Guides	Self Lubricating Polypropylene + GF
Piston seals	NBR steel

Specification

Pressure range	10 Bar
Double acting	2.5 Bar - 8 Bar
Single acting - Open or Close	2.5 Bar - 8 Bar
Temperature range	minus 20°C - 80°C
Movement	90 Degree adjustable -5 +5 Degree
Lubrication	All moving parts are lubricated
Cycle Life	1,000,000 operations
Approvals	ATEX, CE, PED



Part Number VO210

Switchbox for open and closed optical/electrical feedback



Part Number AP9026

Pilot Solenoid for both Double and Single Acting Actuators