



Economy Pneumatic Actuated Flanged PN16 Ball Valve

- Fully Maintainable
- Body CF8m, 316 St St Ball
- PN16/40 1/2" - 2", PN16 2 1/2" - 8"
- Spring Return or Double Acting
- Offers Reliability with Economy

Description

The VOLT PE5245 is a full bore PN16/40 ball valve. When combined with our Pneumatic Actuator, it offers a single reliable source that meets all your actuation requirements.

The Valve is a 2 piece split body design with Full Ports in CF8m stainless steel and flanged PN16/40 (see flange ratings). It has 15% RPTFE seats and PTFE/Viton stem seals. The Pneumatic actuator offers single acting (fail closed or open) and Double acting options. Sized on 5.5 bar pilot air supply with 30% extra added safety factor. The valve has an ISO mounting pad that fits directly onto the actuator, giving you an exceptional combination. The actuator interface allows easy mounting of pilot solenoids, Limit switches/sensors and positioners.

Some valves require Mounting Kits.

Modular program for mounting of quarter turn valves such as ball valves and butterfly valves
NAMUR and ISO 5211 interfaces

Position feedback with Type 1061 possible (also for Ex-applications).

Both valve and actuator have ATEX Approval.



Description

Our Economy, Direct mount ISO 5211 stainless steel full bore ball valve, flanged PN16/40 and RPTFE seats, PTFE/Viton stem seals, fitted onto our VOLT single or double acting pneumatic actuator. Sizes range from 1/2" - 8". All actuators are designed to the latest ISO/Namur standards and have position indicators fitted as standard. Actuator and Valve are both ATEX Approved Temperature Range -20°C to 200°C.



Beschreibung

Unser Economy, Direktmontage-Kugelhahn aus Edelstahl ISO 5211 mit Vollbohrung, angeflanschten PN16 / 40- und RPTFE-Sitzen, PTFE / Viton-Spindel dichtungen, montiert auf unserem einfach oder doppelt wirkenden pneumatischen VOLT-Stellantrieb. Größen reichen von 1/2 " - 8". Alle Stellantriebe entsprechen den neuesten ISO / Namur-Normen und sind standardmäßig mit Positionsanzeigen ausgestattet. Stellantrieb und Ventil sind beide ATEX-zugelassen Temperaturbereich -20°C bis 200°C.



Descripción

Nuestra válvula de bola de paso total de acero inoxidable ISO 5211 de montaje directo, económica, asientos bridados PN16 / 40 y RPTFE, sellos de vástago de PTFE / Viton, instalados en nuestro actuador neumático VOLT de acción simple o doble. Los tamaños varían de 1/2 " a 8". Todos los actuadores están diseñados según las últimas normas ISO / Namur y tienen indicadores de posición instalados de serie. El actuador y la válvula están aprobados por ATEX Rango de temperatura -20°C a 200°C.

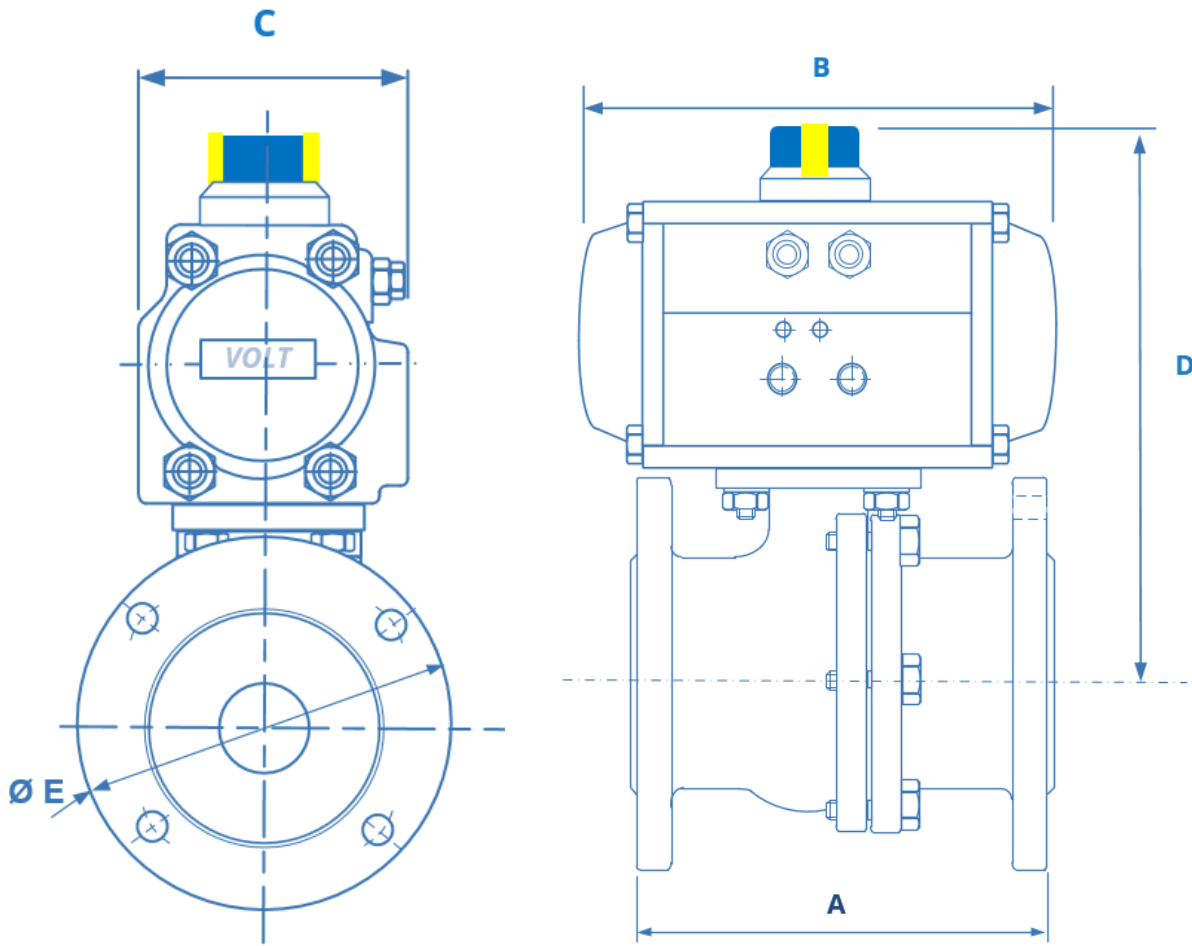


Description

Notre robinet à tournant sphérique à passage intégral en acier inoxydable ISO 5211 à montage direct économique, sièges PN16 / 40 et RPTFE à brides, joints de tige en PTFE / Viton, montés sur notre actionneur pneumatique VOLT simple ou double effet. Les tailles varient de 1/2 " à 8". Tous les actionneurs sont conçus selon les dernières normes ISO / Namur et sont équipés d'indicateurs de position en standard. L'actionneur et la vanne sont tous deux approuvés ATEX Plage de température de -20 ° C à 200 ° C.

* The sizing shown is based on air supply of 5.5 bar to pilot the actuator

All information is sourced from our manufacturer's data and is intended for guidance only - Valves Online can accept no liability for changes, omissions or errors.



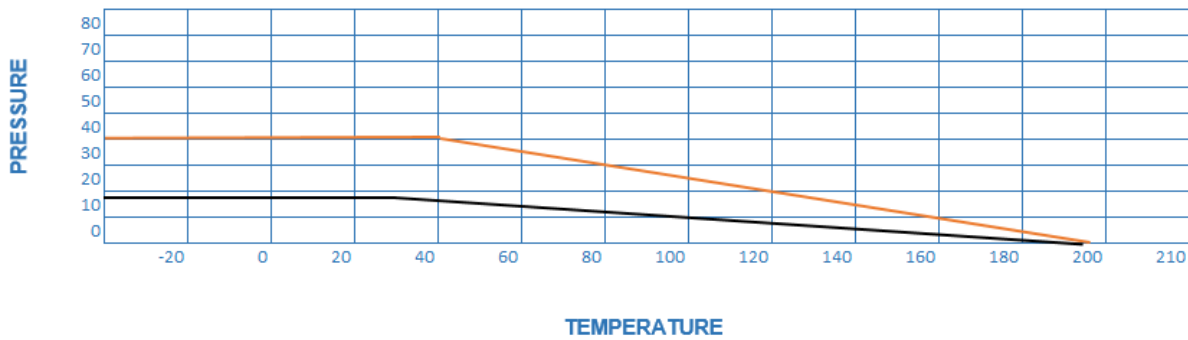
Spring Return Dimensions

Size	SR Act.	A	B	C	D	E	Weight Kg	Kit Required
1/2"	HP50S	115	144	72	141	95	6	NO
3/4"	HP50S	120	144	72	146	105	6	NO
1"	HP63S	125	163	85	166	115	7	NO
1 1/4"	HP63S	130	163	85	178	140	9.8	NO
1 1/2"	HP66S	140	202	85	200	150	10	NO
2"	HP88S	150	247	108	221	165	13	NO
2 1/2"	HP100S	170	258	123	250	185	19.5	NO
3"	HP115S	180	316	141	278	200	23.5	NO
4"	HP125S	190	347	151	319	220	37	NO
6"	HP200S	350	555	227	449	285	110	Yes
8"	HP210S	400	628	236	503	340	170	Yes

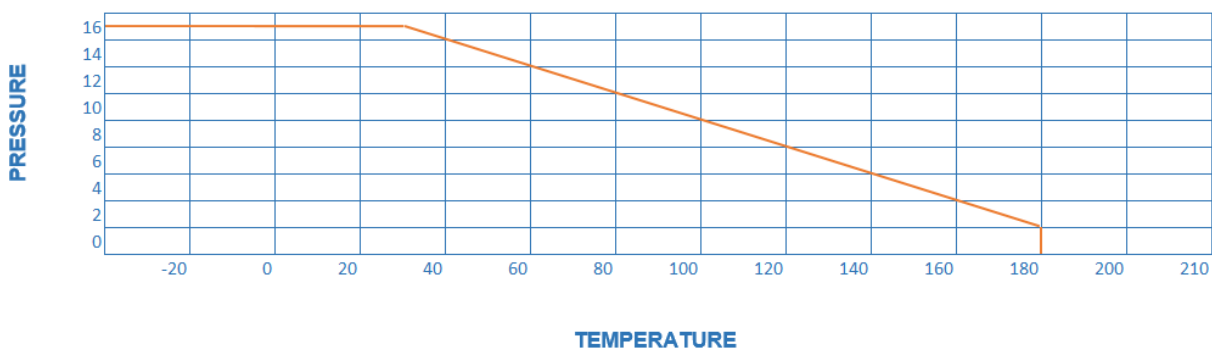
Double Acting Dimensions

Size	DA Act.	A	B	C	D	E	Weight Kg	Kit Required
1/2"	HP50D	115	144	72	141	95	5.5	NO
3/4"	HP50D	120	144	72	146	105	5.5	NO
1"	HP50D	125	144	72	152	115	6.5	NO
1 1/4"	HP63D	130	163	85	178	140	9.5	NO
1 1/2"	HP63D	140	163	85	183	150	9.5	NO
2"	HP66D	150	202	85	192	165	12.5	NO
2 1/2"	HP88D	170	247	108	226	185	16.5	NO
3"	HP88D	180	247	108	248	200	21.5	NO
4"	HP100D	190	268	123	306	220	33	NO
6"	HP160D	350	467	130	398	285	87	NO
8"	HP180D	400	497	206	468	340	144.5	NO

PRESSURE / TEMPERATURE CHART
1/2" - 4"



PRESSURE / TEMPERATURE CHART
6" - 8"



Actuator Specification	
Working Pressure Sized on 5.5 Bar	Double Acting 2.5 - 8 Bar Single Acting 2.5 - 8 Bar
Air Supply	Air or non corrosive gas (ie Nitrogen)
Working Temperature	From -20°C to +80°C (-35°C to +80°C & -20°C to +150°C options available)
Lubrication	Lubricated for normal working life
Rotation	Anti clockwise opening To reverse actuator rotation, invert pistons
Movement	Rotation 90 Adjustable 5 each end of stroke)
Certification Available	SIL2, ATEX, PED, CE, RINA (Marine)

Valve Temp/Pressure	
Max Pressure	1/2"-2" 40 Bar, 2 1/2"-4" 16 Bar
Max Temperature	-25°C to + 200°C

Valve Details	
Name	Material
Cap	CF8M
Bolt	Stainless Steel 304
Body Gasket	PTFE
Body Gasket	CF8M
Ball	Stainless Steel 316
Ball Seat	R-PFTE (a5% Filled)
Stem	Stainless Steel 316
Thrust Washer	PTFE
O-Ring	Viton
Stem Packing	PTFE
Packing Ring	Stainless Steel 304
Belleville Washer	Stainless Steel 304
Nut Stopper	Stainless Steel 304
Plate washer	Stainless Steel 304
Nut Stopper	Stainless Steel 304
Locking Device	Stainless Steel 304
Handle	Stainless Steel 304