



Economy Pneumatic Actuated Brass Ball Valve

- Screwed BSPP
- PTFE Filled Seats.
- Spring Return or Double Acting Versions
- Up to PN40 Bar 120°C
- Offers Economy and Long Life
- Sizes from 1/4" - 3"

Options to this unit



Description

An economic actuated pneumatic ball valve, offering a compact and lightweight combination of HP pneumatic actuator and 2 way Brass ball valve. The pneumatic actuators are manufactured from aluminium and have a hard anodised finish. Position indicator, end of stroke adjustment ($\pm 5^\circ$) and Namur interface are fitted as standard. The Brass ball valves are nickel plated with PTFE seat and are screwed BSP parallel female ends. The valve and actuator fit directly onto each other so no mounting kit is required, thus making the package more compact and cost effective.

The PE4320 is a modular program. NAMUR and ISO 5211 interfaces are standard. This enables position feedback and pilot solenoids to be fitted. Ordering these additions are simple, just go to the PE4320 product page and build your ideal valve.



Description

1/4" - 3" direct mount, full bore ball valve. Pneumatically actuated for automatic on / off applications, with a choice of spring return or double acting actuator. The ball valve is in brass with a hard chromed ball and PTFE seats. Screwed BSPP with the addition of a footplate which allows direct mounting



Beschreibung

1/4" - 3" .Direktmontage , Ventil volle Bohrung Kugel Pneumatisch für die automatische Betätigung auf Anwendungen / Aus, mit einer Auswahl von Federrückstellung oder doppelwirkender Antrieb Der Kugelhahn aus Messing mit einem hartverchromten Ball und PTFE Sitze ist Screwed BSPP mit der Zugabe einer Fußplatte , die direkte Montage erlaubt



Descripción

1/4" - 3" . Montaje directo , válvula de bola con interior de accionamiento neumático para automático de aplicaciones todo / nada , con una opción de retorno por muelle o actuador de doble efecto La válvula de bola es de latón con un disco asiento de bola y PTFE cromado Rosca BSP. con la adición de una placa para el pie que permite el montaje directo

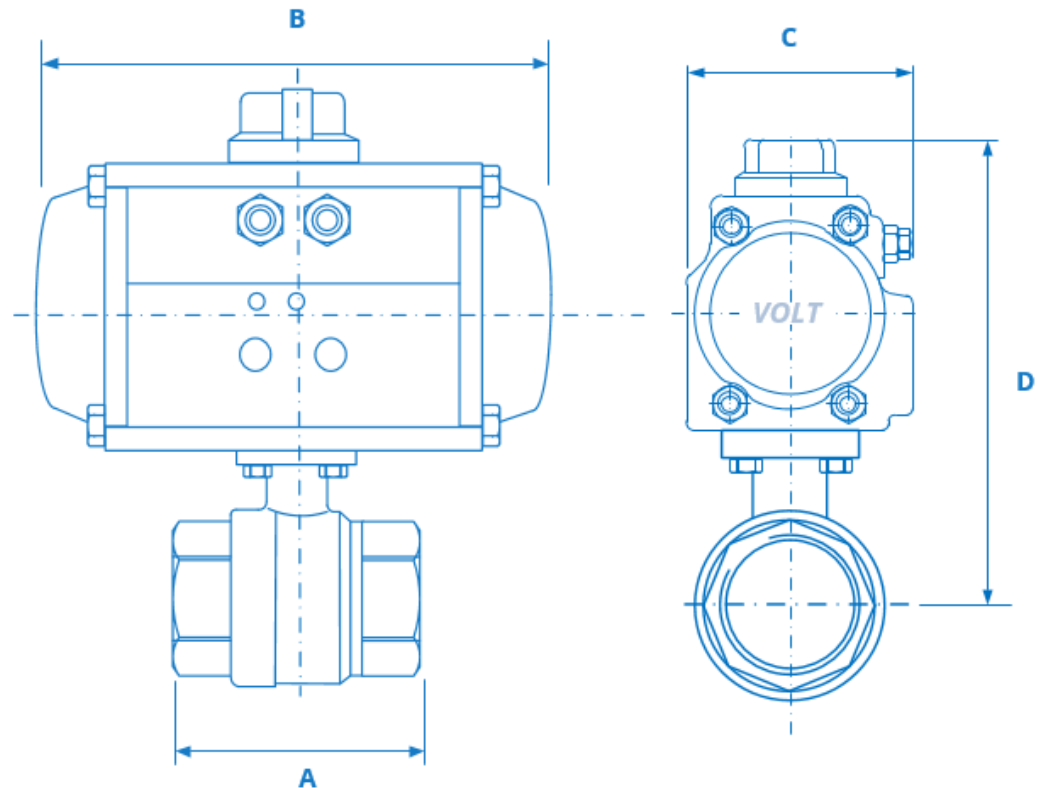


Description

1/4" - 3" . Montage direct , vanne à boisseau sphérique à passage intégral à commande pneumatique pour marche / arrêt automatique des applications , avec un choix de retour à ressort ou actionneur à double effet La vanne à boisseau sphérique est en laiton avec une balle et PTFE dur sièges chromés Screwed BSPP. avec l'ajout d'une palette qui permet le montage direct

At a glance

Optical Position Indicator
Spring Open
Spring Closed
Double Acting
40 Bar Rated
Up to 120° C
Pilot air needed 5.5 Bar



Dimensions for Spring Return

Valve	Spring Return	A	B	C	D	Weight kg
1/4"	HP50S	64	144	72	122	1.5
3/8"	HP50S	64	144	72	122	1.47
1/2"	HP50S	64	144	72	122	1.54
3/4"	HP50S	76	144	72	125	1.64
1"	HP50S	88	144	72	129	1.87
1 1/4"	HP50S	96	144	72	134	2.1
1 1/2"	HP63S	103	163	85	164	2.64
2"	HP63S	121	163	85	171	3.64
2 1/2"	HP66S	165	202	85	197	7.4
3"	HP66S	188	202	85	207	8.3

Dimensions for Double Acting

Valve	Double Acting	A	B	C	D	Weight kg
1/4"	HPD50	64	144	72	122	1.5
3/8"	HPD50	64	144	72	122	1.47
1/2"	HPD50	64	144	72	122	1.54
3/4"	HPD50	76	144	72	125	1.64
1"	HPD50	88	144	72	129	1.87
1 1/4"	HPD50	96	144	72	134	2.1
1 1/2"	HPD50	103	144	72	150	2.12
2"	HPD50	121	144	72	157	3.12
2 1/2"	HPD63	165	202	85	197	4.68
3"	HPD63	188	202	85	207	7.58

Technical - Actuator

Body material	Hard anodised extruded aluminium alloy
End Caps	Die cast aluminium epoxy coated
Spring	High tensile steel
Indicator	Open/Closed
Pinion shaft	Alloy steel nickle plated
Pinion Guides	Self Lubricating Polypropylene + GF
Piston seals	NBR steel

Specification

Pressure range	10 Bar
Double acting	2.5 Bar - 8 Bar
Single acting	2.5 Bar - 8 Bar
Temperture range	minus 20°C - 80°C
Movement	90 Degree adjustable -5-+5 Degree
Lubrication	All moving parts are lubricated
Cycle Life	1,000,000 operations
Approvals	EX, ATEX, CE, PED

Technical - Valve

Body material	Brass nickel plated
Ball	Brass chrome plated
Seat	PTFE
Stem	Brass
O Ring	Viton

Specification

Pressure range	1/4"-1" 40 bar 1 1/4" 32 bar, 1 1/2"- 2 1/2" 30 bar, 3" - 25 bar
Temperture range	-20°C + 120°C
Movement	90 Degree adjustable -5°-+ 5°
Connection	Screwed BSPP
ISO Top	ISO 5211

All information is sourced from our manufacturer's data and is intended for guidance only - Valves Online can accept no liability for changes, omissions or errors.