



Series 90D
PN40



Description

A combination of a powerful pneumatic ATEX approved actuator, fitted to a series 90D heavy duty high performance, flanged PN40 ball valve. The valve comprises of a split 2-piece body with seals that are Fire Safe Certified to API 607 4th Edition and fitted with an Antistatic spring loaded device. The Pneumatic actuator offers single acting (fail closed or open) or Double acting options. Sized on 5.5 bar pilot air supply with 30% added safety factor. This unit gives you an exceptional combination, that's trouble free. We offer various accessories that can be fitted onto the actuator such as I.S or EX switch boxes, solenoids and positioners, all suitable for hazardous areas.

atex



Fire Safe Tested
API 607 Rev. 4

Series 90D Pneumatic Actuated Stainless Steel PN40 Ball Valve – ATEX / FSAS

- Double Acting or Spring Closed/Open
- Stainless Steel Body – Full Bore
- Flanged PN40
- ATEX Approval on valve and actuator
- Fire Safe Seats with Antistatic Device Fitted
- RPTFE Seats



Description

Fire-Safe and Anti-Static, full bore flanged ATEX ball valve. Fitted onto our pneumatic ATEX approved actuator, offered in both single and double acting options. Sizes range from 1/2" - 6" DN15-DN150. RPTFE Fire-safe seats with Graphite seals. Actuators are designed to the latest ISO/Namur standards.



Beschreibung

Fire-Safe und Anti-Static, Vollbohrung Flansch ATEX Kugelhahn. Ausgestattet auf unseren pneumatischen ATEX-zugelassenen Antrieb, der sowohl einzeln als auch doppelwirkend angeboten wird. Größen von 1/2" - 6" DN15-DN150. RPTFE Feuersichere Sitze mit Graphitdichtungen. Die Stellantriebe sind auf die neuesten ISO / Namur-Normen ausgelegt.



Descripción

Fire-Safe y Anti-Static, de agujero lleno de brida ATEX válvula de bola. Equipado con nuestro actuador neumático ATEX, que se ofrece tanto en actuación simple como en doble efecto. Los tamaños van desde 1/2" - 6" DN15-DN150. RPTFE Asientos ignífugos con juntas de grafito. Los actuadores están diseñados según los últimos estándares ISO / Namur.

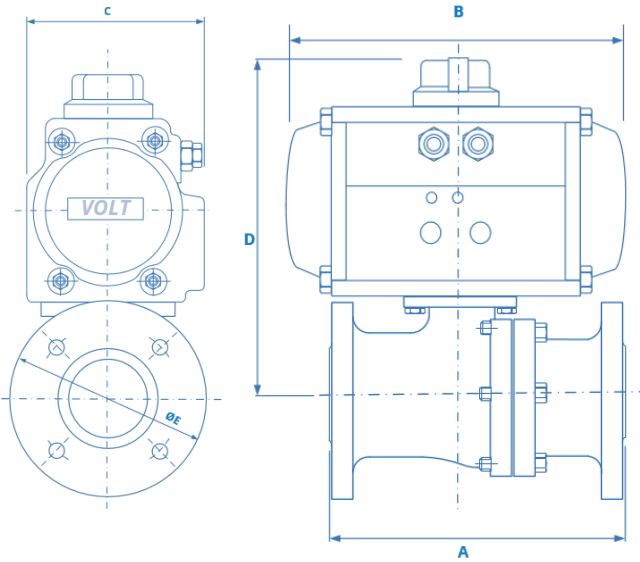


Descripción

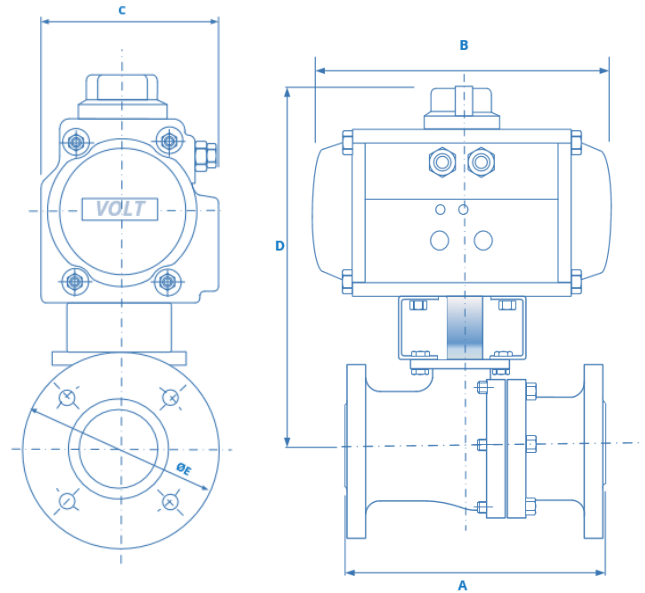
Soupape à bille ATEX à bride intégrale anti-incendie et anti-statique. Adapté à notre actionneur pneumatique ATEX, offert en option simple et double effet. Les tailles sont comprises entre 1/2" - 6" DN15-DN150. RPTFE Sièges coupe-feu avec joints graphite. Les actionneurs sont conçus selon les normes ISO / Namur les plus récentes.

Anti-Static Device
Stem to Ball and Stem to Body as standard

All information is sourced from our manufacturer's data and is intended for guidance only - Valves Online can accept no liability for changes, omissions or errors.



Direct Mount



With Mounting Kit

Double Acting

90D-50 PN40 Double Acting Dimensions							Weight Kg
Size	DA Act.	A	B	C	D	E	
1/2"	HP50D	115	144	72	141.7	95	3.51
3/4"	HP50D	120	144	72	146.7	105	4.21
1"	HP63D	125	163	85	165.8	115	5.05
1 1/4"	HP63D	130	163	85	179.6	140	8.46
1 1/2"	HP75D	140	210	96	213.1	150	10.9
2"	HP75D	150	210	96	220.6	165	12.5
2 1/2"	HP88D	170	247	108	252	185	19.3
3"	HP115D	180	316	141	298.5	200	42
4"	HP115D	190	316	141	323	235	54
6"	HP145D	350	414	172	419.2	300	110

Spring Return

90D-50 PN40 Spring Return Dimensions							Weight Kg
Size	SR Act.	A	B	C	D	E	
1/2"	HP63S	130	163	85	155.7	95	3.6
3/4"	HP66S	150	202	85	160.7	105	4.3
1"	HP75S	160	210	96	182.8	115	5.77
1 1/4"	HP75S	180	210	96	196.6	140	9.18
1 1/2"	HP88S	200	247	108	225.1	150	10.88
2"	HP100S	230	268	123	244.6	165	16.1
2 1/2"	HP115S	290	316	141	282	185	20.68
3"	HP115S	310	316	141	298.5	200	28.5
4"	HP125S	350	347	151	336	220	38.55
5"	HP160S	400	467	190	418.5	235	76
6"	HP160S	480	467	190	436.2	300	91

Valve / Actuator Sizing

THE VALVE AND ACTUATOR COMBINATION HAS BEEN SIZED WITH A MAXIMUM OF 10 BAR (150 PSI) MEDIUM LINE PRESSURE AND BASED ON A MINIMUM OF 5.5 BAR (80 PSI) PILOT AIR PRESSURE. SEE GRAPH. FOR HIGHER PRESSURES PLEASE CONTACT SALES WHO WILL ACCOMMODATE YOUR REQUIREMENTS, QUICKLY AND EASILY.

TORQUE FIGURES

Valve Size		Break Away Torque (R-PTFE Seats)		C.v.
Size	DN	In/LB	Nm	G.P.M
1/2"	15	92	10	28
3/4"	20	127	14	50
1"	25	150	17	95
1 1/4"	32	207	23	132
1 1/2"	40	357	40	260
2"	50	392	44	485
2 1/2"	65	518	59	800
3"	80	852	96	1250
4"	100	1302	147	2250
5"	125	2073	234	3620
6"	100	2188	247	5400



Exd Switchbox



Exd Pilot Solenoid

Technical - Actuator

Body material	Hard anodised extruded aluminium alloy
End Caps	Die cast aluminium epoxy coated
Spring	High tensile steel
Indicator	Open/Closed
Pinion shaft	Alloy steel nickle plated
Pinion Guides	Self Lubricating Polypropylene + GF
Piston seals	NBR steel

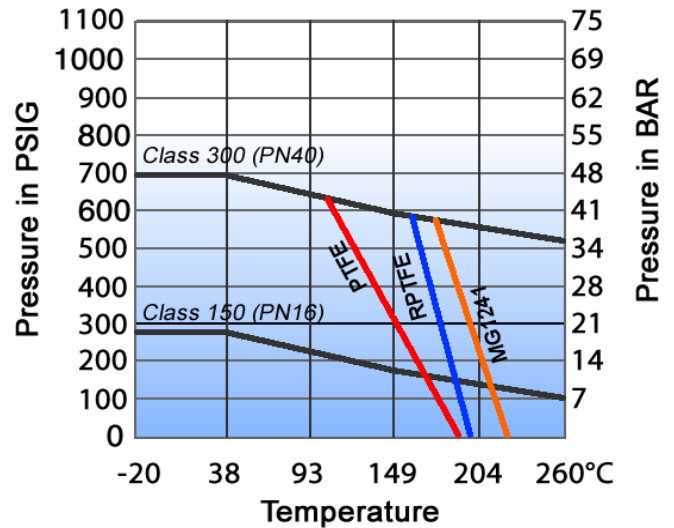
Specification

Pressure range	10 Bar, pilot pressure 5.5 - 8 Bar
Double acting	2.5 Bar - 8 Bar
Single acting - Open or Close	2.5 Bar - 8 Bar
Temperture range	minus 20°C - 80°C
Movement	90 Degree adjustable -5-+5 Degree
Lubrication	All moving parts are lubricated
Cycle Life	1,000,000 operations
Approvals	ATEX, CE, PED

Valve Specification

Pressure Rating	Fig 90D-50 PN 40 DIN F1-EN558-1-1
Size	1/2" to 6" Full Bore
Temperature range	minus 20° to + 200° (see graph)
Movement	90 deg turn
Cycle life	1,000,000 operations
Approvals	CE Marked 0035 PED/97/23/EC, TA-Luft ATEX 94/9/EC II 2 GD Fire-Safe Certified to API 607 4th Edition API 6D

Temperature v Pressure Chart



Valve / Actuator Sizing

THE VALVE AND ACTUATOR COMBINATION HAS BEEN SIZED WITH A MAXIMUM OF 10 BAR (150 PSI) MEDIUM LINE PRESSURE AND BASED ON A MINIMUM OF 5.5 BAR (80 PSI) PILOT AIR PRESSURE. SEE GRAPH. FOR HIGHER PRESSURES PLEASE CONTACT SALES WHO WILL ACCOMMODATE YOUR REQUIREMENTS, QUICKLY AND EASILY.



Fire Safe Tested
API 607 Rev. 4

Anti-Static Device
Stem to Ball and
Stem to Body as
standard

Valve Materials

No	Part Name	Material	Qty
1	Body	CF8M / WCB	1
2	Cap	CF8M / WCB	1
3	Ball	SUS316	1
4	Seat	RPTFE	1
5	Joint Gasket	PTFE	2
6	O-Ring	Viton	2
7	Stem	SUS304	1
8	Stem Seal	RPTFE	2
9	O-Ring	SUS304	1
10	Stem Packing	GRAPHITE	2
11	Gland Packing	RPTFE	1
12	Gland Bush	SUS304	1
13	Belleville washer	PTFE	1
14	Stop Washer	SUS304	*
15	Stem Nut	SUS304	1
16	Stem Washer	Vinyl	1
17	Handle	25% RTFE	1
18	Stop Pin	SUS304	1
19	Locking Device	SUS304	1
20	Handle Sleeve	SUS304	1
21	Pin Nut	SS304	1
22	Anti-static Device	SS 316	1

