



Economy Pneumatic WRAS Actuated Brass Ball Valve

- Screwed BSPP
- PTFE Filled Seats.
- Spring Return or Double Acting Versions
- Up to PN25 Bar 95°C
- Offers Economy and Long Life
- WRAS Approved Valve ½" - 2"

Options to this unit



Description

An economic actuated pneumatic ball valve, offering a compact and lightweight combination of HP pneumatic actuator and 2 way Brass ball valve. The pneumatic actuators are manufactured from aluminium and have a hard anodised finish. Position indicator, end of stroke adjustment ($\pm 5^\circ$) and Namur interface are fitted as standard. The Brass ball valve is WRAS Approved, nickel plated with PTFE seat and has screwed BSPP (parallel) female ends. The valve and actuator fit directly onto each other so no mounting kit is required, thus making the package more compact and cost effective.

The PE4320 is a modular program. NAMUR and ISO 5211 interfaces are standard. This enables position feedback and pilot solenoids to be fitted. Ordering these additions are simple, just go to the PE4320 product page and build your ideal valve.

WRAS
APPROVED
PRODUCT



Description

1/2" - 2" direct mount, full bore WRAS Approved ball valve. Pneumatically actuated for automatic on/off applications, offered with a choice of spring return or double acting actuator. The ball valve is in brass with a hard chromed ball and PTFE seats. Screwed BSPP with the addition of a footplate which allows direct mounting. Valve pressures and Temperature Range see chart. WRAS on sizes ½" - 2" only



Beschreibung

1/2" - 2" Direktmontage, WRAS-zugelassener Kugelhahn mit Vollbohrung. Pneumatisch betätigt für automatische Ein- / Ausschaltanwendungen, wahlweise mit Federrückstellung oder doppeltwirkendem Antrieb. Der Kugelhahn ist aus Messing mit einer hartverchromten Kugel und PTFE-Sitzen. Geschraubtes BSPP mit zusätzlicher Fußplatte, die eine direkte Montage ermöglicht. Ventildrücke und Temperaturbereich siehe Tabelle. WRAS nur für Größen ½" - 2"



Descripción

Válvula de bola aprobada por WRAS de montaje directo de 1/2" - 2" de paso total. Accionada neumáticamente para aplicaciones de encendido / apagado automático, se ofrece con una opción de retorno por resorte o actuador de doble acción. La válvula de bola es de latón con una bola de cromo duro y asientos de PTFE BSPP atornillado con la adición de un reposapiés que permite el montaje directo. Presiones de la válvula y rango de temperatura, consulte la tabla. WRAS solo en tamaños de ½" - 2"



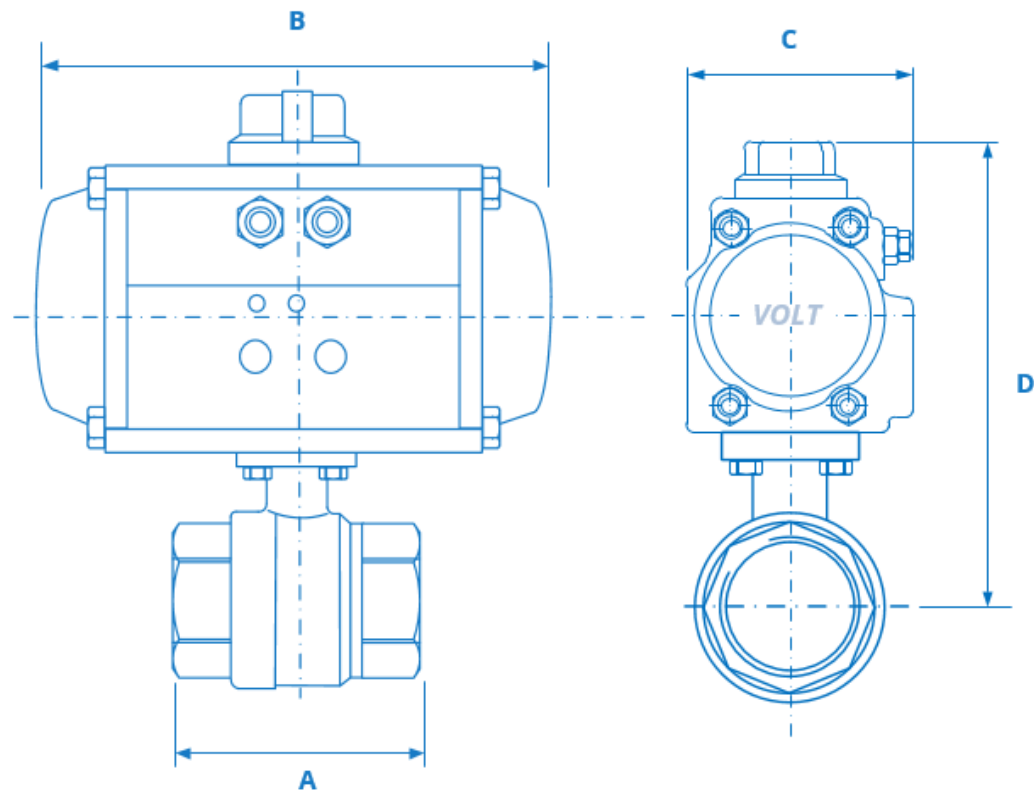
Description

Vanne à boisseau sphérique à passage direct de 1/2" - 2" à passage intégral approuvé par WRAS. Actionnée pneumatiquement pour les applications marche / arrêt automatique, offerte avec un choix d'actionneur à ressort de rappel ou à double effet. La vanne à boisseau sphérique est en laiton avec une bille chromée dure et des sièges en PTFE BSPP vissé avec l'ajout d'une plaque de pied qui permet un montage direct. Les pressions de la vanne et la plage de température sont indiquées dans le tableau. WRAS sur les tailles ½" - 2" seulement

PA4320

At a glance

Optical Position
Indicator
Spring Open
Spring Closed
Double Acting
Pilot air needed 5.5 Bar



Dimensions for Spring Return

Valve	Spring Return	A	B	C	D	Weight kg
1/2"	HP50S	59	144	72	124	1.54
3/4"	HP50S	69	144	72	130	1.64
1"	HP50S	83	144	72	134	1.87
1 1/4"	HP63S	94	163	85	153.5	2.1
1 1/2"	HP66S	102	202	85	165	2.64
2"	HP75S	124	210	96	189.5	3.64

Flow Rates KV

1/2"	16.3
3/4"	29.5
1"	43
1 1/4"	89
1 1/2"	230
2"	265

Dimensions for Double Acting

Valve	Double Acting	A	B	C	D	Weight kg
1/2"	HPD50	59	144	72	124	1.4
3/4"	HPD50	69	144	72	130	1.6
1"	HPD50	83	144	72	134	1.8
1 1/4"	HPD50	94	144	72	154	2.2
1 1/2"	HPD63	102	163	85	165	3.2
2"	HPD63	124	163	85	173	4

All information is sourced from our manufacturer's data and is intended for guidance only - Valves Online can accept no liability for changes, omissions or errors.

PA4320

Technical - Valve

Body material	Brass nickel plated
Ball	Brass chrome plated
Seat	PTFE
Stem	Brass
O Ring	Viton
Specification	
Pressure range	1/4"- 21/2" PN40, 3" PN25, 4" PN16
Temperature range	1/4" - 3/8" -20°C + 160°C
	1/2" - 2" -20°C + 95°C
	21/2" - 4" -10°C + 100°C
Movement	90 Degree adjustable -5°+ 5°
Approvals	WRAS 1/2" - 2"
Connection	Screwed BSPP
ISO Top	ISO 5211

Technical - Actuator

Body material	Hard anodised extruded aluminium alloy
End Caps	Die cast aluminium epoxy coated
Spring	High tensile steel
Indicator	Open/Closed
Pinion shaft	Alloy steel nickle plated
Pinion Guides	Self Lubricating Polypropylene + GF
Piston seals	NBR steel
Specification	
Pressure range	10 Bar
Double acting	2.5 Bar - 8 Bar
Single acting	2.5 Bar - 8 Bar
Temperature range	minus 20°C - 80°C
Movement	90 Degree adjustable -5+5 Degree
Lubrication	All moving parts are lubricated
Cycle Life	1,000,000 operations
Approvals	EX, ATEX, CE, PED



Modular Design

All information is sourced from our manufacturer's data and is intended for guidance only - Valves Online can accept no liability for changes, omissions or errors.