



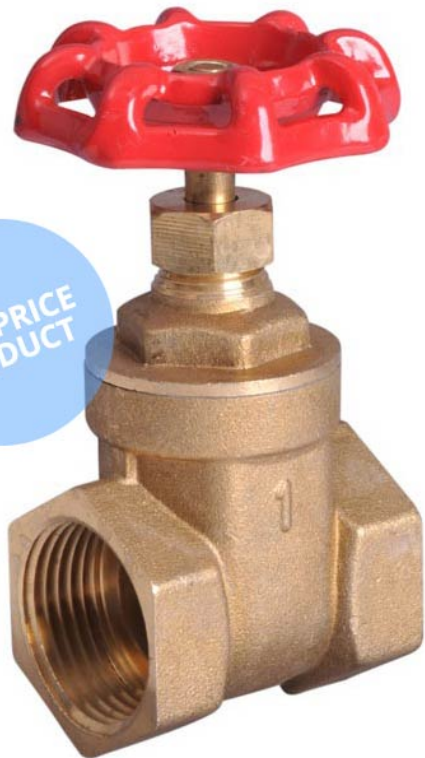


SKU: GV5000

-  VOLT - Screwed Brass Gate Valve – BSPT, NPT
-  VOLT - Verschraubt Messing Absperrschieber - BSPT , NPT
-  VOLT - Válvula de compuerta de latón atornillada - BSPT , NPT
-  VOLT - Laiton vissé Vanne - BSPT , NPT

Valves[™]
ONLINE

- 1/4" - 4" Brass Screwed Gate Valve PN20
- 1/4" - 4" Messing -GewindeschieberPN20
- 1/4" - 4" Latón atornillada Válvula Puerta PN20
- 1/4" - 4" Brass Screwed Vanne PN20



- Economic
- Cast Body
- Non Rising Stem
- Easy to Operate

Description:

A Brass Hand Wheel Operated Gate Valve
Screwed BSPT & NPT To BS 5154.
Brass Body & Bonnet, Cast Hand wheel.
PN20/Class 150 Rated,
Temperature Range -20°C to 120°C

Brass Gate Valve, Screwed BSPT / NPT



Description

VOLT Brass gate valve to BS5154. Hand wheel operated, with screwed bonnet and non rising stem. Supplied in sizes from 1/4" up to 4".
Maximum pressure 20 Bar
Temperature 20°C to 120°C
Screwed BSPT
Screwed NPT



Beschreibung

VOLT Messing Schieber auf BS5154 . Handrad betrieben , mit Kopfstück und nicht steigender Spindel. Lieferbar in den Größen von 1/4 " bis 4" .
Maximaler Druck 20 Bar
Temperatur 20 ° C bis 120 ° C
Gewinde BSPT
Gewinde NPT



Descripción

VOLT válvula de compuerta de latón a BS5154 . Rueda de operación manual , con el capo destrozada y vástago no ascendente. Se suministra en tamaños desde 1/4 " hasta 4" .
La presión máxima de 20 bar
Temperatura 20°C a 120°C
BSPT Rosca
NPT Rosca



Description

VOLT porte en laiton valve à BS5154 . Volant à main actionné , avec Screwed capot et tige non montante . Livré dans les tailles de 1/4 " jusqu'à 4" .
Pression maximale de 20 bar
Température 20 ° C à 120 ° C
Tarudé BSPT
Screwed TNP

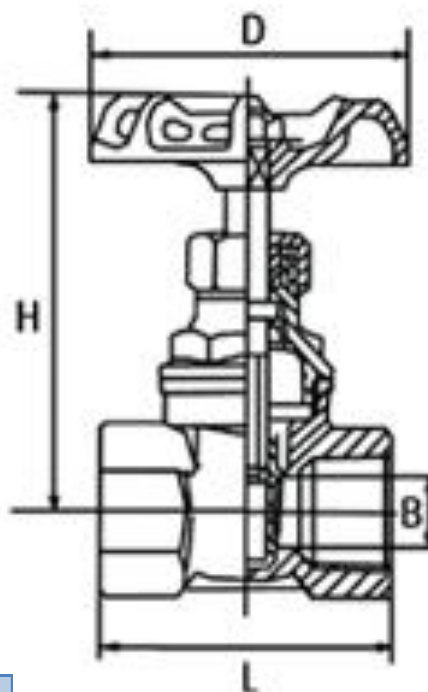
**Gate Valve Lock-Outs
are Available 1" Plus**

-  VOLT - Screwed Brass Gate Valve – BSPT, NPT
-  VOLT - Verschraubt Messing Absperrschieber - BSPT , NPT
-  VOLT - Válvula de compuerta de latón atornillada - BSPT , NPT
-  VOLT - Laiton vissé Vanne - BSPT , NPT

Brass Gate Valve Screwed BSPT

To BS5154
PN20
Screwed BSPT
Non Rising Stem
Screwed Bonnet

Material	
Body	Brass
Wedge	Brass
Stem	Brass
Bonnet	Brass
Gasket	PTFE
Packing	PTFE
Hand wheel	Red Die Cast



Pressure / Temperature Ratings



Max Pressure	20 Bar
Temperature	-20°C to 120°C

Dimensions

Size	DN	L	H	D	B
1/4"	8	35	61.5	55	13
3/8"	10	36	61.5	55	13
1/2"	15	42	63	55	13
3/4"	20	45	77	55	17
1"	25	51	85	65	21
1 1/4"	32	55	102	70	27
1 1/2"	40	58	117	70	33
2"	50	64	131	85	44.5
2 1/2"	65	77	175	100	60
3"	80	85	197	110	69
4"	100	100	240	125	87

Weight

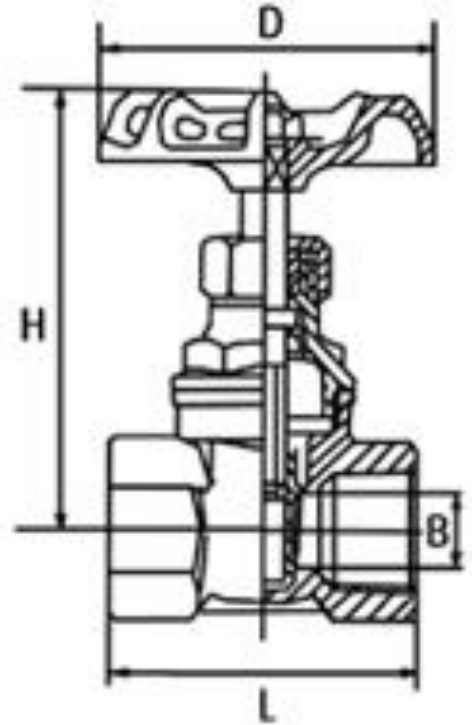
Size	Kg
1/4"	0.18
3/8"	0.18
1/2"	0.2
3/4"	0.32
1"	0.42
1 1/4"	0.66
1 1/2"	0.86
2"	1.28
2 1/2"	2.5
3"	3.5
4"	5.5

-  VOLT - Screwed Brass Gate Valve – BSPT, NPT
-  VOLT - Verschraubt Messing Absperrschieber - BSPT , NPT
-  VOLT - Válvula de compuerta de latón atornillada - BSPT , NPT
-  VOLT - Laiton vissé Vanne - BSPT , NPT

Brass Gate Valve NPT

To BS5154
 Class 150
 Screwed NPT
 Non Rising Stem
 Screwed Bonnet

Material	
Body	Brass
Wedge	Brass
Stem	Brass
Bonnet	Brass
Gasket	PTFE
Packing	PTFE
Hand wheel	Red Die Cast



Pressure / Temperature Ratings

Max Pressure	19.6 Bar
Temperature	-20°C to 120°C

Dimensions

DN	Size	L	H	D	B
8	1/4"	35	61.5	55	13
10	3/8"	36	61.5	55	13
15	1/2"	42	63	55	13
20	3/4"	45	77	55	17
25	1"	51	85	65	21
32	1 1/4"	55	102	70	27
40	1 1/2"	58	117	70	33
50	2"	64	131	85	44.5

Weight

Size	Kg
1/4"	0.18
3/8"	0.18
1/2"	0.2
3/4"	0.32
1"	0.42
1 1/4"	0.66
1 1/2"	0.86
2"	1.28