

SCREWED STAINLESS STEEL

GATE VALVE

Key features:

- 316 Stainless steel body
- PTFE seals
- Screwed BSP end connections
- Handwheel operated with non-rising stem
- Sizes available: ½" to 2"
- Working temperature range: -20°C to 180°C.
- Pressure rating: 200 PSI/PN16



DETAILS

A robust manual gate valve suitable for general purpose industrial applications, fluids and aggressive chemicals.

The valve features a stainless steel investment cast body with PTFE seals.

Available in sizes ½", ¾", 1", 1¼", 1½", and 2" with screwed BSP end connections.

Handwheel operated with a non-rising stem.

The valve is pressure rated to 200 PSI/PN16.

Working temperature range of -20°C to 180°C.

Inspection test to API 598, EN12266.

PED97/23/EC (CE0035)

SCREWED STAINLESS STEEL

GATE VALVE

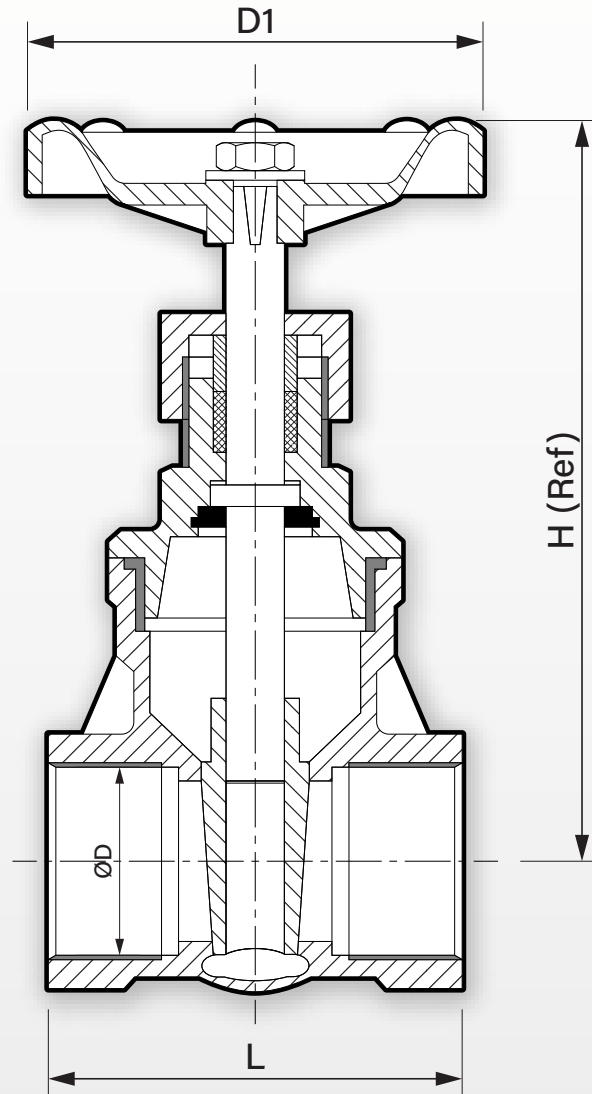


TABLE 1: DIMENSIONS IN MM

Size	ØD	H	D1	L	Cv Factor	Weight
½"	15	98	65	53	19	0.42 kg
¾"	20	104	77	57	37	0.56 kg
1"	25	115	77	64	64	0.75 kg
1¼"	32	125	97	73	103	1.00 kg
1½"	40	137	97	76	143	1.50 kg
2"	50	160	97	88	360	1.95 kg

SCREWED STAINLESS STEEL

GATE VALVE

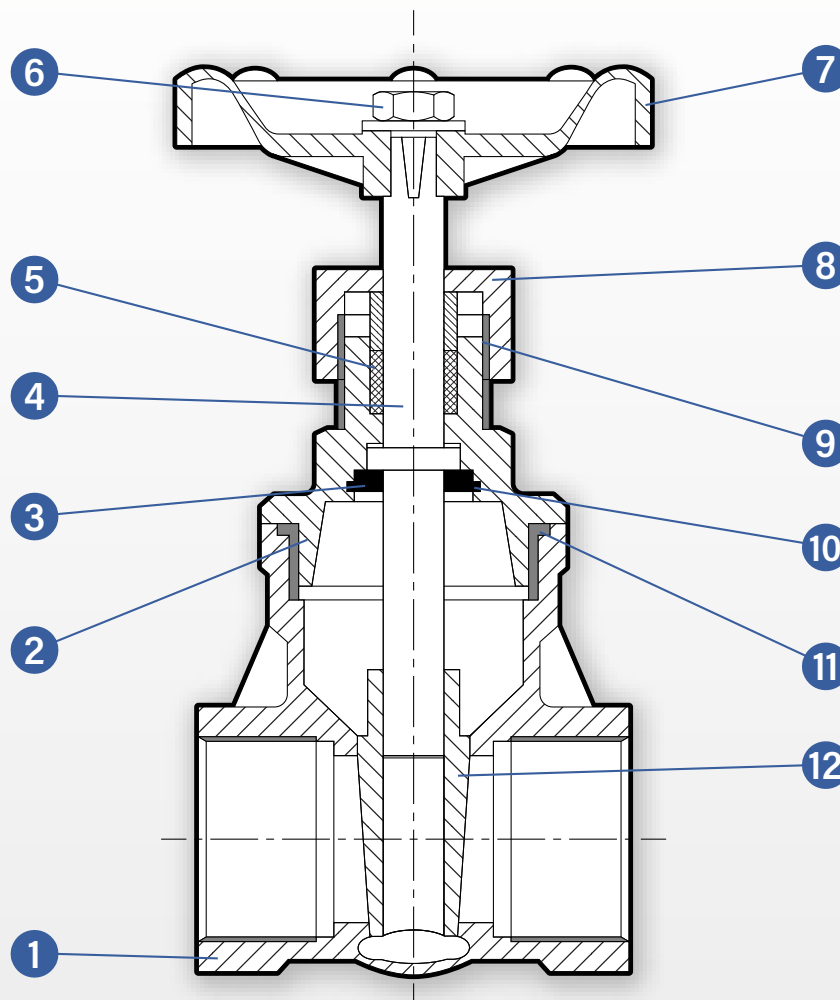


TABLE 2: MATERIALS

Item	Description	Material
1	Body	Stainless steel CF8/CF8M
2	Bonnet	Stainless steel CF8/CF8M
3	Stop ring	Stainless steel 304
4	Stem	Stainless steel 304
5	Packing	PTFE
6	Handwheel nut	Stainless steel 304
7	Handwheel	Aluminium alloy
8	Packing nut	Stainless steel 304
9	Ring	Stainless steel 304
10	Lock nut	Stainless steel 304
11	Gasket	PTFE
12	Disc	Stainless steel CF8/CF8M

SCREWED STAINLESS STEEL

GATE VALVE

CHART 1: PRESSURE/TEMPERATURE RATING

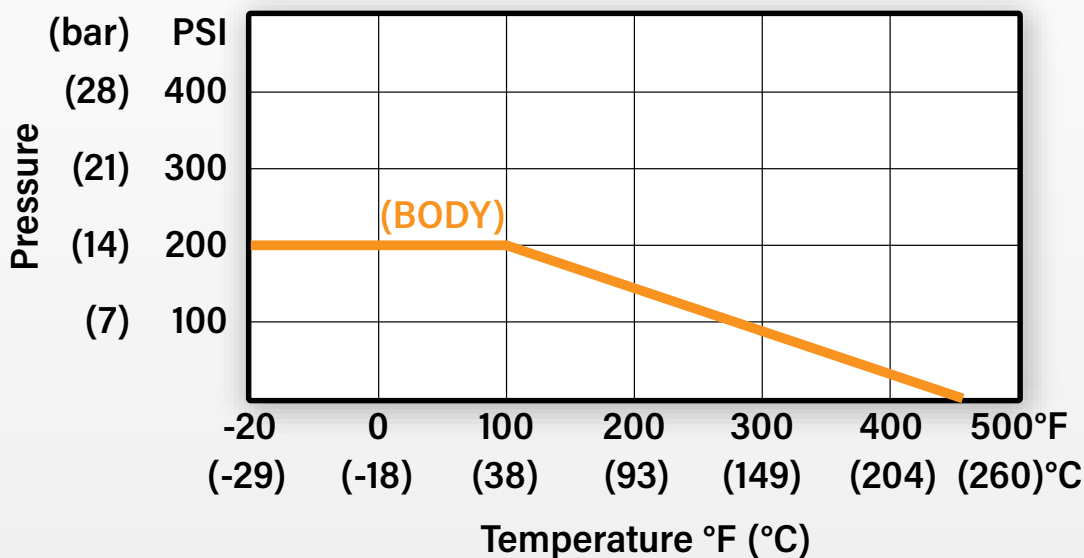


TABLE 3: PART NUMBERS

Size	SKU
1/2"	GV5007-115350
3/4"	GV5007-115351
1"	GV5007-115352
1 1/4"	GV5007-115353
1 1/2"	GV5007-115354
2"	GV5007-115355