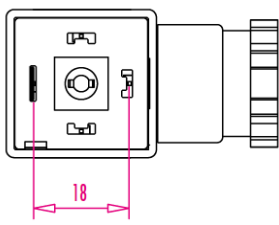


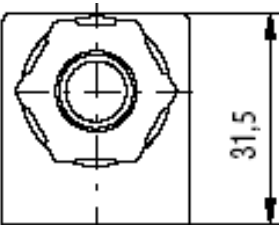
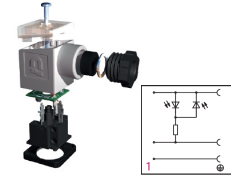
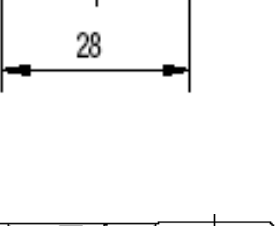
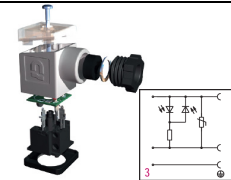
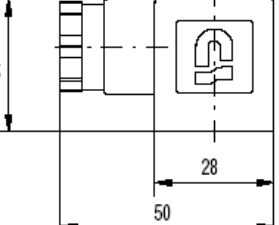
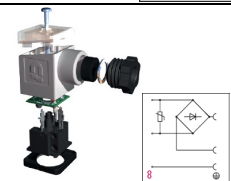

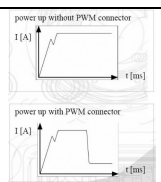
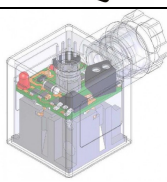
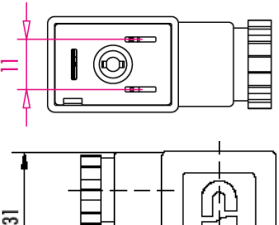

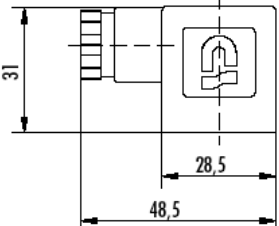
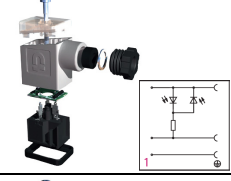
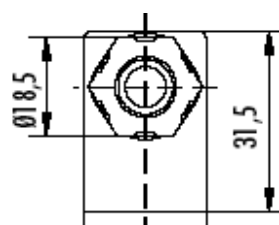
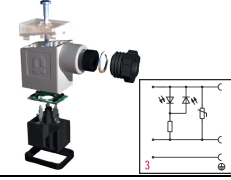


CONNECTORS DIN43650A

Part Number	Description	Overall Dimensions		
DIN2	Basic 1 Piece Black No Circuit PG9 for 6 to 8 mm cable NBR Seal IP65, Max 16 Amp Resistance <4 mOhm Clamping contact Optional Conduit Entry 5 – 6mm cable, 1/2NPT 1.5mm ² Cable section max			
DIN3 IP67	Basic 1 Piece Black No Circuit with moulded 3 meter PG9 9 mm cable NBR Seal IP67, Max 10 Amp Resistance <4 mOhm Screw contact, 0 to 250 volts 1.5mm ² Cable section max			
DIN2LEDR + voltage (24 – 110-230)	1 Piece Clear With LED (Red) PG9 for 6 to 8 mm cable, NBR Seal IP65, Max 1.0 Amp Resistance <4 mOhm, Clamping Contact, Power Consumption Max 5mA, Drop off delay approx 3mSec Wrong polarity protection, Optional 24v or 110v or 250v Yellow + Green LED, 5 – 6mm or 1/2NPT. 1.0mm ² Cable section max			
DIN2LEDVDR + voltage (24 – 110 – 230)	1 Piece Clear With LED (Red) + Varistor (VDR) PG9 for 6 to 8 mm cable, NBR Seal IP65, Max 1.0 Amp Resistance <4 mOhm, Clamping Contact, Power Consumption Max 5mA, Drop off delay approx 3mSec Wrong polarity protection, Optional 24v or 110v or 250v, Yellow + Green LED, 5 – 6mm or 1/2NPT. 1.0mm ² Cable section max			
DIN2R-All	2 Piece Clear With Rectifier + VDR PG9 for 6 to 8 mm cable, NBR Seal IP65, Max 1.0Amp Resistance <4 mOhm, Clamping Contact Power Consumption 0.5mA, Drop off delay approx 3mSec Wrong polarity protection, Voltage 0 to 230v, Yellow + Green + Red LED, 5 – 6mm or 1/2NPT Conduit. 1.0mm ² Cable section max			
6-11173-0102	2 Piece ATEX Black without circuit II 3G II 3D Ex nA IIC T95C PG9 6 to 8mm cable, NBR seal IP65, EN175301-803-A To be used with ATEX coil 125930.1-5146 or 125950.1-00/5146 ATEX coil.			
DIN2-PWM-24v	2 Piece Clear with Diode and Pulse width Modulation energy saving 11 to 89% with LED PG9 for 6 to 8mm cable, NBR seal IP65, Max 1.0 Amp Delay 175 mSec, switching frequency 3.1Khz at 24vDC 8 holding power reduction variations by jumper to achieve power saving 11%, 22%, 33%, 44%, 56%, 67%, 78% and 89%			

CONNECTORS Industrial Form

DIN1	Basic 1 Piece Black No Circuit PG9 for 6 to 8 mm cable NBR Seal IP65, Max 10 Amp Resistance <4 mOhm Clamping contact Optional 5 – 6mm or 1/2NPT 1.0mm ² Cable section max			
DIN1LEDR + voltage (24 – 110-230)	1 Piece Clear With LED (Red) PG9 for 6 to 8 mm cable, NBR Seal IP65, Max 1.0 Amp Resistance <4 mOhm, Clamping Contact, Power Consumption Max 5mA, Wrong polarity protection, Optional 24v or 110v or 250v, Yellow + Green LED, 5 – 6mm or 1/2NPT. 1.0mm ² Cable section max			
DIN1LEDVDR + voltage (24 – 110 – 230)	1 Piece Clear With LED (Red) + Varistor (VDR) PG9 for 6 to 8 mm cable, NBR Seal IP65, Max 1.0 Amp Resistance <4 mOhm, Clamping Contact, Power Consumption Max 5mA, Wrong polarity protection, Optional 24v or 110v or 250v, Yellow + Green LED, 5 – 6mm or 1/2NPT. 1.0mm ² Cable section max			
DIN1R + voltage (24 – 110 – 230)	2 Piece Clear With Rectifier + VDR PG9 for 6 to 8 mm cable, NBR Seal IP65, Max 1.0Amp Resistance <4 mOhm, Clamping Contact, Power Consumption 0.5mA, Drop off delay approx 3mSec Wrong polarity protection, Voltage 24 – 110 - 230v, Yellow + Green + Red LED. 1.0mm ² Cable section max		