



Stainless Steel Ball Float Valve – Heavy Pattern

- Screwed BSPP Male
- 1/2" - 3"
- CF8M Stainless Steel
- - 20°C to 150°C
- High Flow Rates
- Silicone Disc Seat
- PN10 Rated

Description

A ball float valve offered in ASTM A351 CF8M stainless steel construction. Silicon disc seal. Simple "Portsmouth" pattern design.

+150°C temperature rated and 10 Bar/g pressure rated. The valve is supplied complete with relevant size 316 stainless steel float. Screwed BSPP to ISO 228/1 Male connection supplied complete with Back nut. This valve is designed for simple and cost effective fluid level control within open tanks and vessels. Other Seal Materials are available upon application.

"Non-Bubble" type Valves and Flanged options are also available on special order.



Description

A full bore Ball Float Valve, Screwed BSPP male and supplied with mounting nut. Stainless Steel CF8M throughout and is designed for simple and cost effective fluid level control in open tanks.



Beschreibung

Ein Kugelschwimmventil mit vollem Durchgang, verschraubtem BSPP-Außengewinde und mit Befestigungsmutter geliefert. Durchgehend aus Edelstahl CF8M und für die einfache und kostengünstige Füllstandskontrolle in offenen Tanks konzipiert.



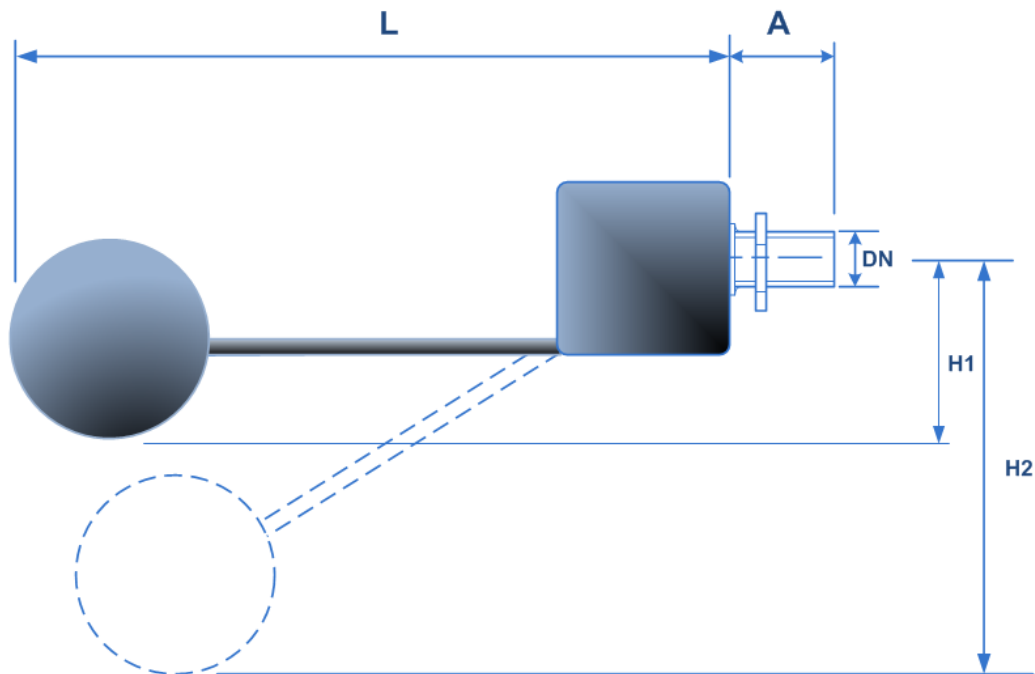
Descripción

Una válvula de flotador de bola de paso total, roscada BSPP macho y se suministra con tuerca de montaje. Acero inoxidable CF8M en todas partes y está diseñado para un control de nivel de fluido simple y rentable en tanques abiertos.



Description

Un robinet à boisseau sphérique à passage intégral, mâle BSPP vissé et fourni avec écrou de montage. L'acier inoxydable CF8M est entièrement conçu pour un contrôle simple et économique du niveau de liquide dans les réservoirs ouverts.



Dimensions

DN	A	L	H1	H2	Float Ø	Kg
1/2"	35	410	180	375	110	1.05
3/4"	42	490	197	436	160	2
1"	45	585	220	521	160	2.05
1 1/2"	52	585	222	520	160	2.25
1 1/2"	60	710	318	651	200	4.85
2"	70	798	324	736	200	5.15
2 1/2"	80	805	390	737	200	6.2
3"	170	1447	493	1248	300	15.8

Materials

Body	CF8M Stainless Steel
Arm	CF8M Stainless Steel
Float	CF8M Stainless Steel
Disc	CF8M Stainless Steel
Disc Seat	Silicone

Pressure/Temperature

Pressure	PN10
Temperature	-20°C to 150°C

Flow Rates l/h

DN	1 bar	2 bar	3 bar	4 bar	6 bar	8 bar	10 bar
1/2"	2.829	3.99	4.89	5.6	6.8	7.9	9
3/4"	0.838	6.84	8.37	9.7	11	14	15
1"	6.934	9.919	12.14	14	17	19.6	22
1 1/4"	7.44	10.64	13.03	15	18	21	23
1 1/2"	15.556	21.295	26.92	31	38	43	51
2"	23.685	33.86	40.97	47	57	67	75
2 1/2"	24.869	35.55	43	50	60	70	79
3"	55.868	79.01	96.7	111	136	158	173

