



## 3 - Way Hygienic Clamp Ended Ball Valve

- No Dead Space in Through Path
- Encapsulated Hygienic Seats
- Lever Supplied
- L or T Port
- Direct Mount Pad ISO 5221
- Fully Maintainable, easy to clean (CIP)

### Description

This Sanitary 3-Way ball valve has an ASTM A351 CF8M 316 Stainless Steel construction, 316 Trim, and cavity filled seats and seals.

Full Bore with L or T port flow paths. Self adjusting stem sealing. Suitable for CIP cleaning. The valve has an ISO 5211 Direct Mounting Pad and Square Stem for Electric or Pneumatic actuation.

Anti-Static devices for Ball-Stem-Body. Supplied with lockable lever

1000 psi/g pressure rated (see chart)

Chemically polished external surface, Mechanical polished bore.

Clamp end connections BS4825.

Valve are suitable for use on pigged pipework.

Spare seals and seats available



### Description

A Sanitary Clamp ended 3 Way, L or T Port, Full Bore ball valve in Stainless Steel.CF3M 316L. 5 Seat design, cavity filled ball seats and PTFE seals make this valve suitable for Hygienic applications. This Direct mount valve can be used for manual or for actuation offering superior performance and reliability. Pressure rating 100 PSI

Available in L port or T port with Weld OD or Tri Clamp Ends.



### Beschreibung

Ein 3-Wege-, L- oder T-Anschluss, Kugelhahn mit vollem Durchgang aus Edelstahl.CF3M 316L mit Sanitärklemme. 5 Sitzdesign, hohlraumgefüllte Kugelsitze und PTFE-Dichtungen machen dieses Ventil für hygienische Anwendungen geeignet. Dieses Direktmontageventil kann für die manuelle oder für die Betätigung verwendet werden und bietet überlegene Leistung und Zuverlässigkeit. Druckstufe 100 PSI Erhältlich mit L-Port oder T-Port mit Weld OD oder Tri Clamp Ends.



### Descripción

Una abrazadera sanitaria con terminación de 3 vías, puerto L o T, válvula de bola de paso total en acero inoxidable CF3M 316L. 5 El diseño del asiento, los asientos de bola llenos de cavidades y los sellos de PTFE hacen que esta válvula sea adecuada para aplicaciones higiénicas. Esta válvula de montaje directo se puede utilizar para accionamiento manual o para ofrecer un rendimiento y una fiabilidad superiores. Presión nominal 100 PSI Disponible en puerto L o puerto T con extremos de soldadura OD o Tri Clamp.

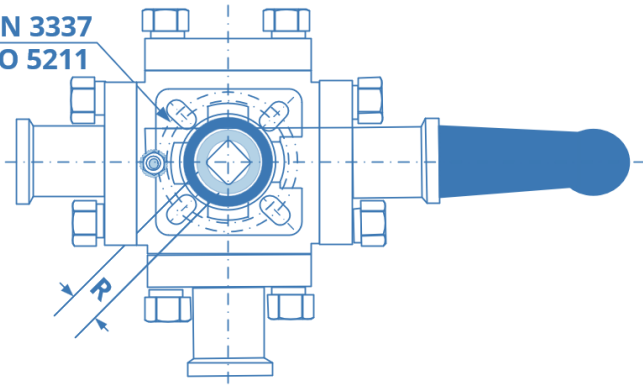


### Description

Une pince sanitaire terminée à 3 voies, orifice L ou T, robinet à tournant sphérique à passage intégral en acier inoxydable.CF3M 316L. 5 La conception du siège, les sièges de bille remplis de cavité et les joints en PTFE rendent cette vanne adaptée aux applications hygiéniques. Cette vanne à montage direct peut être utilisée pour un actionnement manuel ou pour des performances et une fiabilité supérieures. Pression nominale 100 PSI Disponible dans le port L ou le port T avec des extrémités soudées OD ou Tri Clamp.

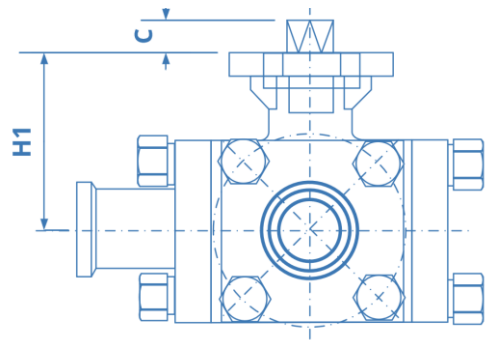
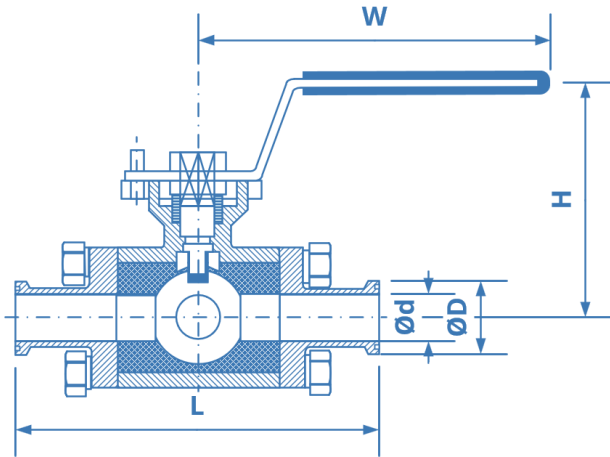
# BV5102

DIN 3337  
ISO 5211



## CAVITY FILLED SEATS

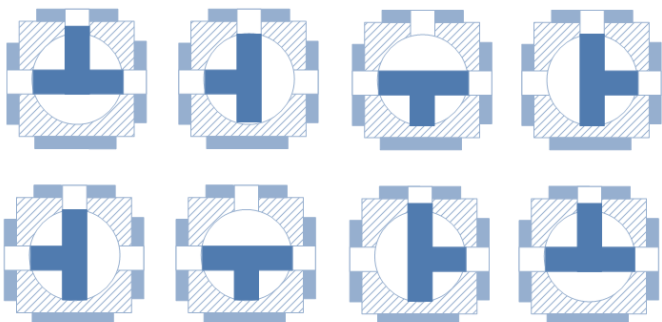
Cavity filled seats are designed to eliminate the cavity around the ball, minimize trapped fluid in the valve body that can contaminate the process. Cavity Filled Seats offer excellent performance in control of food products, pharmaceuticals and high velocity applications.



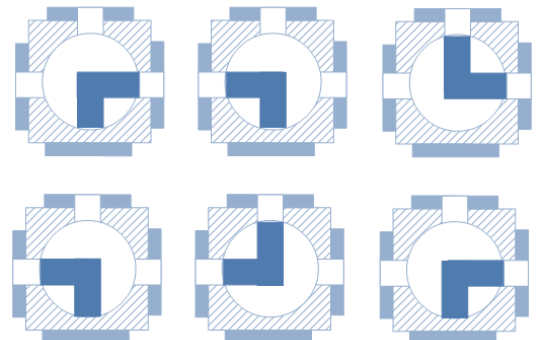
## Dimensions

Size	DN	ISO-5211	W	H	H1	C	R	L	ØD	Ød	Torque/INLB
1/2	15	F03/F04	121	78	44.5	9	9	118	25.4	9.5	85
3/4	20	F03/F04	121	82	48	9	9	127	25.4	15.8	90
1	25	F04/F05	137	90	59	11	11	152.4	50.4	22.2	150
1 1/2	40	F05/F07	182	110	72	14	14	175	50.4	35	350
2	50	F05/F07	182	114.7	82	14	14	190	63.9	47.6	780

## T PORT

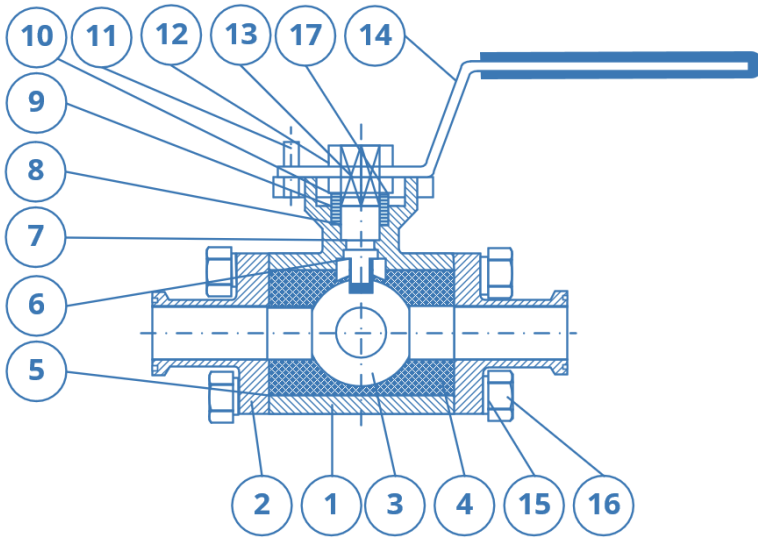


## L PORT



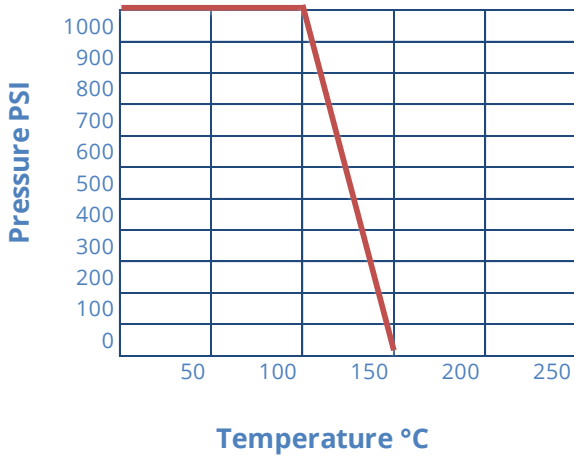
All information is sourced from our manufacturer's data and is intended for guidance only - Valves Online can accept no liability for changes, omissions or errors.

# BV5102



Material List				
Item	PARTS	MATERIAL		QTY
1	BODY	A351-CF8M	A351-CF3M	1
2	CAP	A351-CF8M	A351-CF3M	4
3	BALL	A351-CF8M	A351-CF3M	1
4	SEAT	PTFE	TEM-1600	4
5	GASKET	PTFE	PTFE	2
6	THRUST WASHER	PTFE	PTFE	1
7	O-RING	FKM	FKM	1
8	STEM PACKING	PTFE	PTFE	1
9	RING	AISI 316	AISI 304	1
10	BEVEL WASHER	AISI 301	AISI 301	2
11	STOP PIN	AISI 316	AISI 316	1
12	NUT	AISI 304	AISI 304	1
13	STEM	AISI 316	AISI 316	1
14	HANDLE	AISI 304	AISI 304	1
15	SPRING WASHER	AISI 304	AISI 304	16
16	BOLT	AISI 304	AISI 304	16
17	PREVALING DEVICE	AISI 304	AISI 304	1

## Pressure / Temperature Chart



Can Be Used with Electric or Pneumatic Actuators



All information is sourced from our manufacturer's data and is intended for guidance only - valves online can accept no liability for changes, omissions or errors.