

## Maintainable 3-Piece Spring Loaded Check Valve

- End Connections: BSP and Socket Weld
- Sizes from ½" to 4"
- Fully Maintainable
- Body and Seat Stainless Steel
- Pressure up to PN63
- Temperature -10°C to 180°C

### General:

Offered in BSP screwed or socket weld, this all stainless steel spring loaded, disc check valve meets all the requirements of annual maintenance planning, even when the valve is welded into a pipeline. The 3-piece body can be split and the central section removed leaving the end sections remaining in place and the centre section worked on. Offered in sized ranging from ½" up to 4".



### Description

A 3-piece spring loaded stainless steel disc check valve with options for screwed and socket weld end connections. This check valve has the benefits of being able to be maintained in line and can be dismantled even when welded. Pressure rating PN63. Repair kits available.



### Beschreibung

Ein 3-teiliges federbelastetes Scheibenrückschlagventil aus Edelstahl mit Optionen für Schraub- und Muffenschweißendanschlüsse. Dieses Rückschlagventil hat den Vorteil, dass es in einer Linie gehalten werden kann und auch beim Schweißen zerlegt werden kann. Druckstufe PN63. Reparatursätze erhältlich.



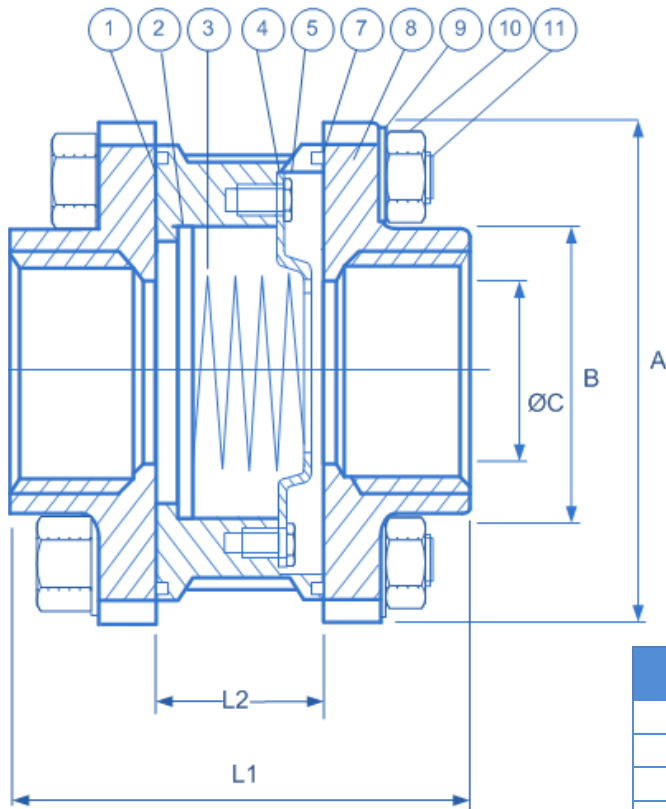
### Descripción

Una válvula de retención de disco de acero inoxidable cargada por resorte de 3 piezas con opciones para conexiones de extremo roscadas y soldadas. Esta válvula de retención tiene la ventaja de poder mantenerse en línea y puede desmontarse incluso cuando está soldada. Clasificación de presión PN63. Kits de reparación disponibles.



### Description

Clapet anti-retour à disque en acier inoxydable à ressort en 3 pièces avec des options pour les connexions d'extrémité à souder vissées et à emboîtement. Ce clapet anti-retour a l'avantage de pouvoir être maintenu en ligne et peut être démonté même lorsqu'il est soudé. Pression nominale PN63. Kits de réparation disponibles.



Materials	
Body	EN10213-4 1.4403
Disc	Stainless Steel 316
Spring	Stainless Steel 316
Cap	Stainless Steel 316
Screw	Stainless Steel 316
Inserts	EN10213-4 1.4403
Gasket Packing	Teflon
End Cap	EN10213-4 1.4403
Washer	Stainless Steel 304
Nut	Stainless Steel 304
Bolt	Stainless Steel 304

**End Connections**  
Screwed BSP &  
Socket Weld

Dimensions				
DN	ØC	L	L1	L2
1/4"	11	65	65	18
3/8"	13	65	65	18
1/2"	15	65	65	18
3/4"	20	70	80	22
1"	25	78	88	28
1 1/4"	32	96	96	32
1 1/2"	40	102	107	37
2"	50	118	128	47
2 1/2"	65	145	150	47
3"	80	156	171	55
4"	97	185	215	70

Operating Pressure STD in Mbar			
DN	↑	↓	→
15	25	21	23
20	25	21	23
25	25	21	23
32	27	21	24
40	29	21	25
50	29	21	25
65	31	21	25
80	32	21	26
100	33	21	27

All information is sourced from our manufacturer's data and is intended for guidance only - ValvesOnline can accept no liability for changes, omissions or errors.