



Economy Electric Actuated Stainless 3 Piece Ball Valve

- Stainless Steel Body 316
- Powerful Electric Actuator
- Full Bore,
- Limit Switches/Manual Override
- Various Voltages
- Screwed BSPT (other connections on request)



Description

Our Economy stainless steel full bore 3 piece ball valve is fitted onto a powerful Electric Actuator. Suitable for slightly aggressive fluids, the valve is fully maintainable with RPTFE seats with end connections of screwed BSPT. Valve pressures up to 1000 PSI. Temperature Range -20°C to 180°C



Beschreibung

Unsere Economy Edelstahl volle Bohrung 3 Stück Kugelhahn wird auf einem leistungsfähigen Elektroantrieb ausgestattet. Geeignet für leicht aggressive Flüssigkeiten, ist das Ventil vollständig mit RPTFE Sitze mit Endanschlüssen von BSPT- wartbar. Ventildruck von bis zu 1000 PSI. Temperaturbereich -20 ° C bis 180 ° C



Descripción

Nuestro acero inoxidable total de la válvula pieza balón Economía taladro 3 se monta sobre un potente actuador eléctrico. Adecuado para líquidos ligeramente agresivos, la válvula está totalmente mantenible con asientos RPTFE con conexiones finales de BSPT atornillado. las presiones de la válvula hasta 1000 psi. Rango de temperatura de -20 ° C a 180 ° C



Description

Notre économie en acier inoxydable plein alésage 3 valve pièce de balle est monté sur un puissant actionneur électrique. Convient pour les fluides légèrement agressifs, la vanne est entièrement maintenable avec des sièges RPTFE avec raccords d'extrémité de vissage BSPT. pressions Valve jusqu'à 1000 PSI. Plage de température -20 ° C à 180 ° C

Description – ¼" to 4"

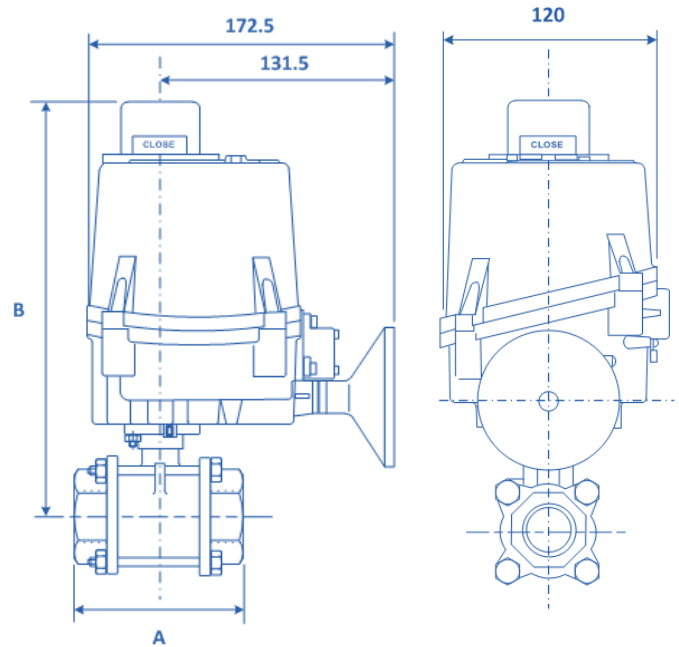
A Perfect combination of a maintainable, full bore ball valve and powerful HQ electric rotary ¼ turn actuator. The valve is manufactured in 316 stainless steel and is a 3 piece design that's fully maintainable. The seats are reinforced RPTFE. The end connections are screwed BSPT. The actuator can be supplied in a wide range of voltages. This unit offers as standard, limit switches, condensation heaters, optical indicator and manual override.

HQ005 Model

HQ005 standard actuator fitted to our full bore 1000 psi rated stainless steel ball valve offers On/Off control (power to open and power to close) for automatic isolation. Wiring diagrams are in the lid of the actuator and online. This actuator fits neatly onto the three piece valve and offers a perfect match, giving economy, performance and long life.

Features

- Multi voltage design (Single phase & 24V)
- High corrosion resistance, anodized & painted housing
- 4 off Limit switches
- Torque output: 50 Nm
- low current, long-life actuator due to unique brushless DC motor ensuring high reliability
- 2 off M20 cable entries
- IP67 weatherproof enclosure
- F03/F04/F05/FO7 mounting base with 14mm Star drive
- Captive cover bolts
- Visual beacon indicator & LED lamps
- 70% Duty Rating (on/off only)
- Declutchable manual override handwheel
- Electronic torque limiter



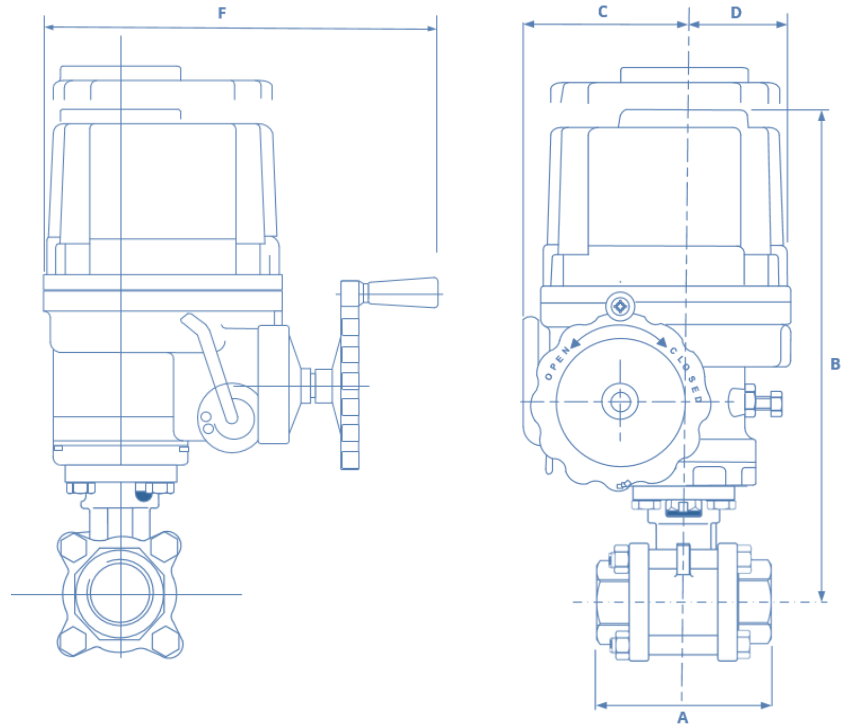
Size	Electric Actuator	A	B	W (kg)
1/4"	HQ005	50	174	3.06
3/8"	HQ005	60	174	3.08
1/2"	HQ005	75	174	3.11
3/4"	HQ005	80	182	3.49
1"	HQ005	90	189	3.87
1.1/4"	HQ005	110	193	4.64
1.1/2"	HQ005	120	210	5.6
2"	HQ005	140	217	6.4

Standard Actuator Specification	
Enclosure	: Weatherproof IP67
Power Supply	: 85 - 265 VAC 1 ph, 50/60Hz / 24 VAC/DC
Operating Time	: 90° - 13 seconds
Limit Switches	: 4 x SPDT, 250V AC 10A (2 std. & 2 additional)
Space Heater	: 2W Anti Condensation
Manual Override	: Handwheel Declutchable
Duty Cycle (on/offduty)	: S4, 70% (average load of 80% for Max. torque) S2, 50% (average load of 80% for Max. torque)
Travel Angle	: 330°
Conduit Entries	: 2 x M20
Ambient Temperature	: -20°C to + 80°C
External Coating	: Dry Powder, Polyester

PERFORMANCE	
MODEL	HQ005
TORQUE(Nm)	50
SPEED 90° 50/60Hz	13
CURRENT 110/1/50	0.1A
(A) 220/1/50	0.05A
24 VAC/DC	0.8 A
WEIGHT	2.6
MAX.SQ.DRIVE	14
ISO 5211 mtg. base	F03, F04, F05, F07

HQ008 to HQ015

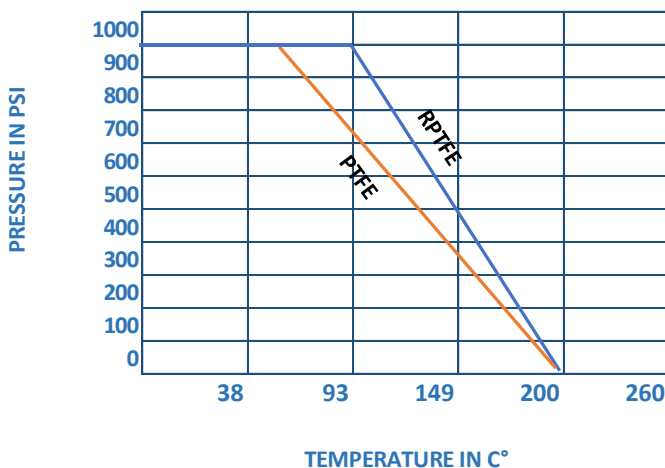
HQ008 – HQ015 Electric Actuator is a much more robust unit and offers On/Off control (power to open and power to close) for automatic isolation. Wiring diagrams are in the lid of the actuator and also online. This actuator fits neatly onto the three piece full bore ball valve and offers a perfect match, giving performance and longlife.



DIMENSIONS

Size	Model	A	B	C	D	F	G	W (kg)
2 1/2"	HQ008	185	335	100	70	208	120	15.2
3"	HQ015	205	380.5	142	87	265	160	29
4"	HQ020	240	380.5	142	87	265	160	37.4

PRESSURE V TEMPERATURE CHART



HQ008-HQ020



TECHNICAL SPECIFICATIONS

Actuator Specification for HQ005		Actuator Specification for HQ008/HQ0020
Enclosure	Weaterproof IP67	Weaterproof IP67
Power Supply	110/220V 50/60Hz, 24 VAC/VDC	110/220V 1PH, 24 VAC/VDC, 380/440 AC 3PH
Operating Time	30 Secs	see chart
Limit Switches	4 x SPDT, 250V AC 3A	4 x SPDT, 250V AC 10A
Space Heater	2W	10W (110/240V AC) Anti Condensation Heater
Manual Override	Handwheel Declutchable	Handwheel Declutchable
Duty Cycle (on/off duty)	S4, 70% (avarage load of 80% for Max. torque) S2, 50% (avarage load of 80% for Max. torque)	S4, 70% standad, 100% for Max 30 mins
Travel Angle	90°	90°
Conduit Entries	2 x M20	2 x M25 (PG13.5 or 1/2" NPTOption)
Ambient Temperature	minus 20° C to + 80° C	-20° C to + 70° C
External Coating	Dry Powder, Polyester	Dry Powder, Polyester

Actuator Specification

Type (model)	Max Output Torque	Operating Time 50/60Hz	Motor Class	Rated Current (A)				Weight W (kg)
				24VAC	110VAC	220 VAC	24 VDC	
		90						
HQ005	50NM	14/13Secs		0.8	0.1	0.05	0.8	2.6
HQ008	80NM	16/13 Secs	103/103	2.6	1.1	0.55	2.6	7.4
HQ015	150NM	25/21 Secs	185/166	8.8	1.65	0.88	8.8	16.6
HQ020	200NM	25/21 Secs	185/166	9.8	1.67	0.89	9.6	16.6

Size	Electric Actuator
1/4"	HQ005
3/8"	HQ005
1/2"	HQ005
3/4"	HQ005
1"	HQ005
1.1/4"	HQ005
1.1/2"	HQ005
2"	HQ005
2.1/2"	HQ008
3"	HQ015
4"	HQ015

Valve Specification

Body	CF8M
Thread	BSPT Female
Seat	Reinforced PTFE
Stem Seal	PTFE
Ball	SU316
Pressure Rating	1000 PSI
Ends	CF8M
Approvals	ATEX, CE, PED

OPTION SPECIFICATION

PIU	:	Potentiometer Unit (1K – 10K)
PCU	:	Proportional Control Unit (In/Out: 0-10VDC, 4-20mA)
CPT	:	Current Position Transmitter (Output 4-20mA)
TS	:	Torque overload indicator module (single & redundancy)